

BOTTOM-MOUNT BUILT-IN REFRIGERATOR OWNER'S MANUAL

GUIDE D'UTILISATION DU RÉFRIGÉRATEUR ENCASTRÉ AVEC CONGÉLATEUR EN BAS

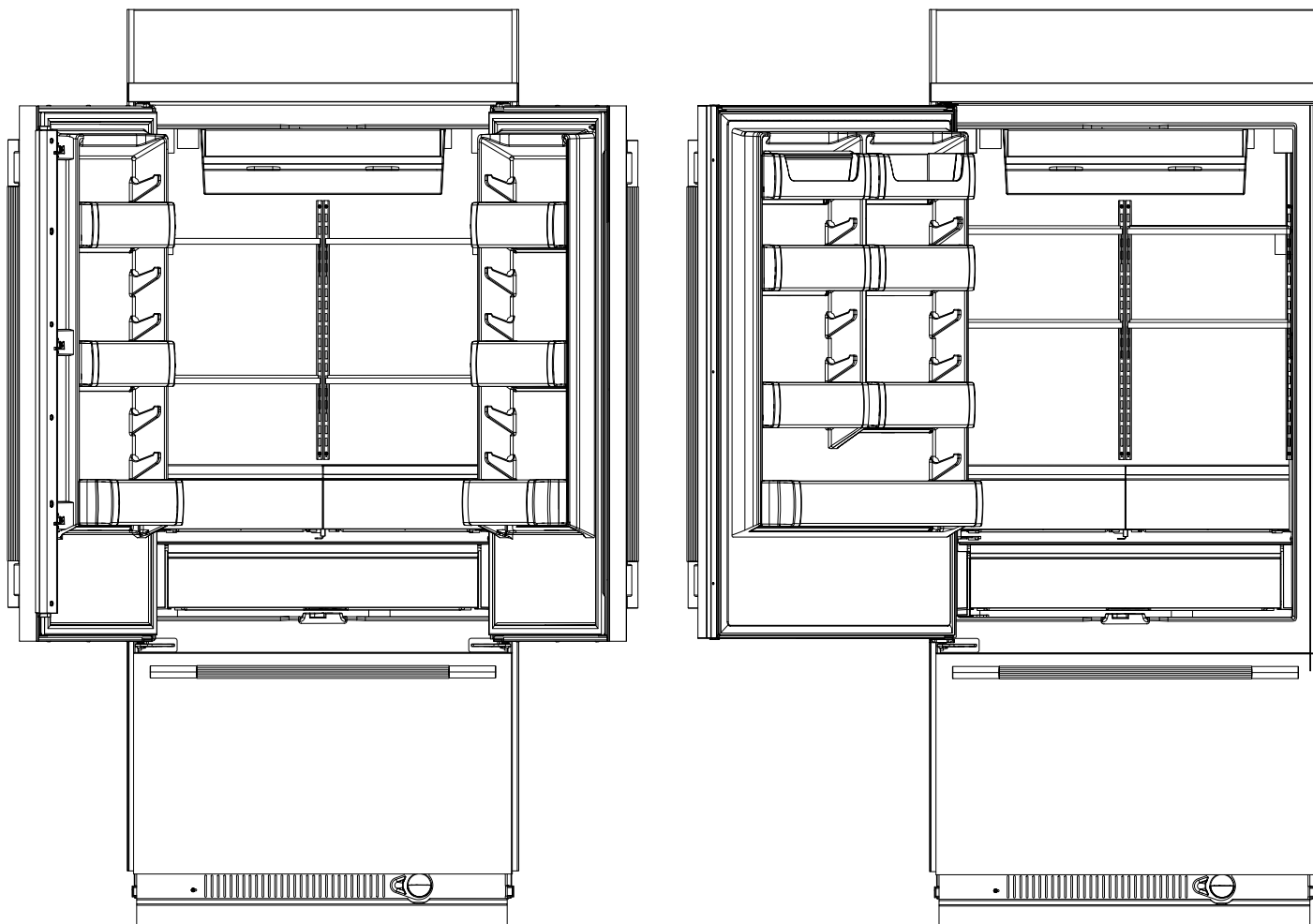


Table of Contents/Table des matières/Índice

<p>REFRIGERATOR SAFETY 3</p> <p>Refrigerator Safety 3</p> <p>Proper Disposal of Your Old Refrigerator 4</p> <p>GETTING STARTED 4</p> <p>Models 4</p> <p>Unpack the Refrigerator 5</p> <p>Power On/Off 5</p> <p>Water Supply Requirements 6</p> <p>Water System Preparation 6</p> <p>Odor Absorber (FreshFlow™ Air Filter) 7</p> <p>Install Produce Preserver 7</p> <p>REFRIGERATOR USE 8</p> <p>Using the Controls 8</p> <p>Ice Maker and Storage Bin 10</p> <p>Water Filtration System 11</p> <p>REFRIGERATOR FEATURES 12</p> <p>Refrigerator Shelves 12</p> <p>Deli/Crisper Drawers 13</p> <p>FREEZER FEATURES 13</p> <p>Freezer Drawer and Pull-out Ice Bin 13</p> <p>DOOR FEATURES 14</p> <p>Door Bins 14</p> <p>MAINTENANCE AND CARE 15</p> <p>Cleaning 15</p> <p>Changing the LED Module 15</p> <p>Power Interruptions 16</p> <p>Vacation Care 16</p> <p>TROUBLESHOOTING 16</p> <p>Refrigerator Operation 16</p> <p>Temperature and Moisture 17</p> <p>Ice and Water 17</p> <p>PERFORMANCE DATA SHEET 17</p>	<p>SÉCURITÉ DU RÉFRIGÉRATEUR 20</p> <p>Sécurité du réfrigérateur 20</p> <p>Mise au rebut du vieux réfrigérateur 21</p> <p>MISE EN PLACE 21</p> <p>Modèles 21</p> <p>Déballage du réfrigérateur 22</p> <p>Marche/arrêt de l'alimentation 22</p> <p>Spécifications de l'alimentation en eau 23</p> <p>Préparation du circuit d'eau 23</p> <p>Filtre à odeur (filtre à air FreshFlow™) 24</p> <p>Installation du conservateur pour produits frais 25</p> <p>UTILISATION DU RÉFRIGÉRATEUR 26</p> <p>Utilisation des commandes 26</p> <p>Machine à glaçons et bac d'entreposage 28</p> <p>Système de filtration de l'eau 29</p> <p>CARACTÉRISTIQUES DU RÉFRIGÉRATEUR 30</p> <p>Tablettes du réfrigérateur 30</p> <p>TIROIRS POUR SPÉCIALITÉS ALIMENTAIRES/À LÉGUMES 31</p> <p>CARACTÉRISTIQUES DU CONGÉLATEUR 32</p> <p>Tiroir de congélateur et bac à glaçons coulissant 32</p> <p>CARACTÉRISTIQUES DE LA PORTE 32</p> <p>Balconnets de porte 32</p> <p>ENTRETIEN ET RÉPARATION 33</p> <p>Nettoyage 33</p> <p>Remplacer le module à DEL 34</p> <p>Pannes de courant 34</p> <p>Entretien avant les vacances 34</p> <p>DÉPANNAGE 35</p> <p>Fonctionnement du réfrigérateur 35</p> <p>Température et humidité 36</p> <p>Glaçons et eau 36</p> <p>FICHÉ DE DONNÉES DE PERFORMANCE 37</p>
---	--

REFRIGERATOR SAFETY

Your safety and the safety of others are very important.

We have provided many important safety messages in this manual and on your appliance. Always read and obey all safety messages.



This is the safety alert symbol.

This symbol alerts you to potential hazards that can kill or hurt you and others.

All safety messages will follow the safety alert symbol and either the word "DANGER" or "WARNING." These words mean:

▲ DANGER

You can be killed or seriously injured if you don't immediately follow instructions.

▲ WARNING

You can be killed or seriously injured if you don't follow instructions.

All safety messages will tell you what the potential hazard is, tell you how to reduce the chance of injury, and tell you what can happen if the instructions are not followed.

IMPORTANT SAFETY INSTRUCTIONS

WARNING: To reduce the risk of fire, electric shock, or injury to persons when using your appliance, follow basic precautions, including the following:

- Children should be supervised to ensure that they do not play with the appliance.
- This appliance is not intended for use by persons (including children) with reduced physical, sensory, or mental capabilities, or lack of experience and knowledge, unless they have been given supervision or instruction concerning use of the appliance by a person responsible for their safety.
- Do not use an extension cord.
- If power supply cord is damaged, it must be replaced by the manufacturer, its service agent, or a similarly qualified person in order to avoid a hazard.
- Connect to potable water supply only.
- This appliance is intended to be used in household and similar applications such as: staff kitchen areas in shops, offices, and other working environments; farm houses and by clients in hotels, motels, and other residential-type environments; bed and breakfast-type environments; and catering and similar non-retail applications.
- Do not store explosive substances such as aerosol cans with a flammable propellant in this appliance.
- Use the new hose-sets supplied with the appliance and that old hose-sets should not be reused.
- Do not use replacement parts that have not been recommended by the manufacturer (e.g., parts made at home using a 3D printer).
- Keep ventilation openings, in the appliance enclosure or in the built-in structure, clear of obstruction.
- Do not use mechanical devices or other means to accelerate the defrosting process, other than those recommended by the manufacturer.
- Do not damage the refrigerant circuit.
- Do not use electrical appliances inside the food storage compartments of the appliance, unless they are of the type recommended by the manufacturer.
- Ice maker kit can be added to some models. See serial tag inside the food compartment of appliance for ice maker kit model information.
- A qualified service technician must install the water line and ice maker. See installation instructions supplied with ice maker kit for complete details.
- Do not locate multiple portable socket-outlets or portable power supplies at the rear of the appliance.
- This appliance can be used at a maximum altitude of 2000 m (6561.7 ft) from the sea level.
- When positioning the appliance, ensure the supply cord is not trapped or damaged.
- Do not locate multiple portable socket-outlets or portable power supplies at the rear of the appliance.
- To avoid a hazard due to instability of the appliance, it must be fixed in accordance with the instructions provided in the installation instructions.

SAVE THESE INSTRUCTIONS

Proper Disposal of Your Old Refrigerator

⚠️WARNING



Tip Over Hazard

Refrigerator is top heavy and tips easily when not completely installed.

Keep doors taped closed until refrigerator is completely installed.

Use two or more people to move and install refrigerator.

Failure to do so can result in death or serious injury.

WARNING: Risk of child entrapment. Before you throw away your old refrigerator or freezer:

- Take off the doors.
- Leave the shelves in place so that children may not easily climb inside.

⚠️WARNING

Suffocation Hazard

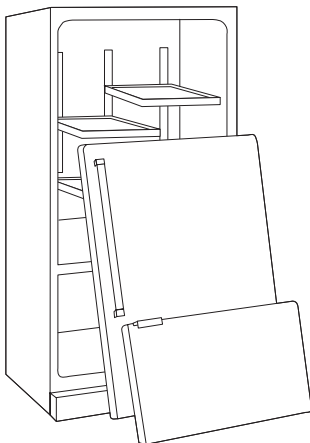
Remove doors or lid from your old appliance.

Failure to do so can result in death or brain damage.

IMPORTANT: Child entrapment and suffocation are not problems of the past. Junked or abandoned refrigerators are still dangerous, even if they will sit for “just a few days.” If you are getting rid of your old refrigerator, please follow these instructions to help prevent accidents.

Important information to know about disposal of refrigerants:

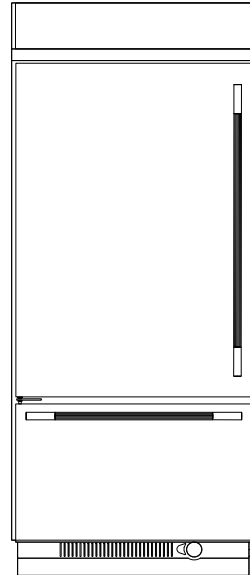
Dispose of refrigerator in accordance with federal and local regulations. Refrigerants must be evacuated by a licensed, EPA-certified refrigerant technician in accordance with established procedures.



GETTING STARTED

Models

Stainless Steel Series Bottom Mount Refrigerators

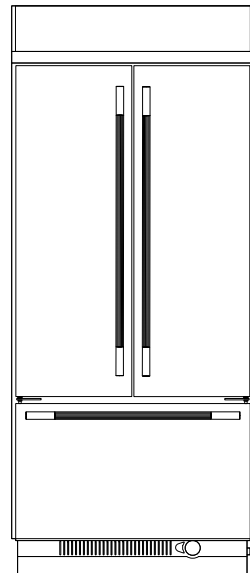


Stainless Series

Features wraparound styling that complements the contoured door handles. This series provides a commercial-looking built-in refrigerator.

KBBL336SPS; KBBR336SPS

Stainless Steel Series French Door Bottom Mount Refrigerators

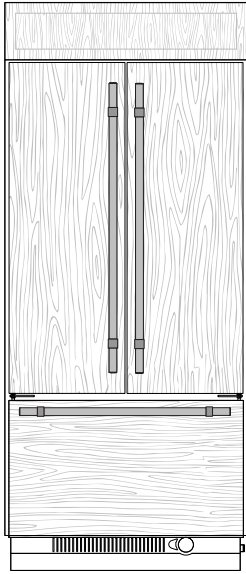


Stainless Series

Features wraparound styling that complements the contoured door handles. This series provides a commercial-looking built-in refrigerator.

KBFN536SPS; KBFN536SBE; KBFN536SJP; KBFN542SPS; KBFN542SJP; KBFN542SBE

Overlay Series French Door Bottom Mount Refrigerators



Overlay Series

Features factory-installed, overlay style trim to provide a “frameless” look. This series requires the installation of custom panels, handles, and standoffs.

KBFN536SPA; KBFN542SPA

Unpack the Refrigerator

WARNING

Excessive Weight Hazard

Use two or more people to move and install or uninstall appliance.

Failure to do so can result in back or other injury.

Refrigerator Delivery

- A minimum door opening of 33" (838 mm) is required. If door opening is 36" (914 mm) or less, then removal of doors, drawer, and hinges is required.
- Cart the refrigerator from the side for all door openings.

When Moving Your Refrigerator:

Your refrigerator is heavy. When moving the refrigerator for cleaning or service, be sure to cover the floor with cardboard or hardboard to avoid floor damage. Always pull the refrigerator straight out when moving it. Do not wiggle or “walk” the refrigerator when trying to move it, as floor damage could occur.

Remove the Packaging

- Remove tape and glue residue from surfaces before turning on the refrigerator. Rub a small amount of liquid dish soap over the adhesive with your fingers. Wipe with warm water and dry.
- Do not use sharp instruments, rubbing alcohol, flammable fluids, or abrasive cleaners to remove tape or glue. These products can damage the surface of your refrigerator. For more information, see “Refrigerator Safety.”
- Dispose of/recycle all packaging materials.

Clean Before Using

After you remove all of the packaging materials, clean the inside of your refrigerator before using it. See the cleaning instructions in “Refrigerator Care.”

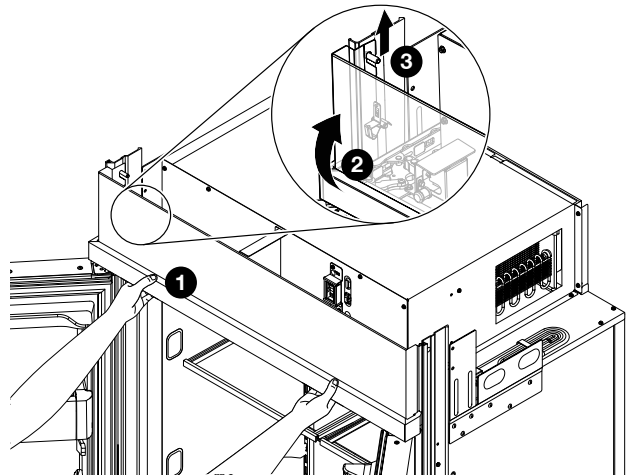
Important information to know about glass shelves and covers:

Do not clean glass shelves or covers with warm water when they are cold. Shelves and covers may break if exposed to sudden temperature changes or impact, such as bumping. Tempered glass is designed to shatter into many small, pebble-size pieces. This is normal. Glass shelves and covers are heavy. Use both hands when removing them to avoid dropping.

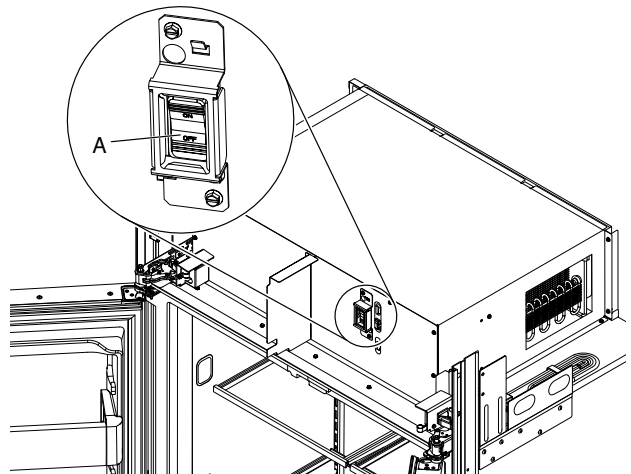
Power On/Off

To turn the refrigerator power ON or OFF, you must remove the top grille assembly to access the power switch. Turn the refrigerator power OFF when you clean it.

1. Open the refrigerator door(s).
2. Put your hands under the top grille panel. Hold the bottom edge with your fingers and thumbs.
3. Pull the grille panel straight out until the grille stops. Then, lift up on the grille panel to remove.



4. Press Power switch to the ON or OFF position.
NOTE: While turning off the refrigerator for extended periods of time, remove the food and empty the ice bin.



A. Power switch

To Replace Top Grille:

1. Insert top grille hooks (located on the back of the top grille) onto mounting bolts on the side trim.
2. Pull the grille down slightly and push the bottom in to lock it into place.

IMPORTANT: Make sure the power switch is ON after you clean or repair the refrigerator.

Water Supply Requirements

Read all directions before you begin.

IMPORTANT:

- Read “Connect the Water Supply” in the installation instructions. For questions, refer the “Troubleshooting” section or contact a licensed plumber.
- If you turn on the refrigerator before you connect the water line, turn the ice maker OFF. Refer the “Ice Maker and Storage Bin” section.
- All installations must meet local plumbing code requirements.
- Connect to a potable water supply only.

Do not use with water that is microbiologically unsafe or of unknown quality without adequate disinfection before or after the system. Systems certified for cyst reduction may be used on disinfected waters that may contain filterable cysts.

- When using the ice maker or water dispenser, a banging noise might occur due to rapid changes in water pressure within your home’s pipes. To fix this, a water hammer arrestor should be installed where the refrigerator water line connects to the household water supply. This device absorbs the pressure shock, stopping the banging. For proper installation of the water hammer arrestor, please contact a licensed plumber.

Water Pressure

A cold water supply with water pressure between 30 psi and 120 psi (207 kPa and 827 kPa) is required to operate the water dispenser and ice maker. If you have questions about your water pressure, call a licensed, qualified plumber.

NOTE: If the water pressure is less than what is required, the flow of water from the water dispenser could decrease or ice cubes could be hollow or irregular shaped. If you have questions about your water pressure, call a licensed, qualified plumber.

Reverse Osmosis Water Supply

IMPORTANT: The pressure of the water supply coming out of a reverse osmosis system going to the water inlet valve of the refrigerator needs to be between 30 psi and 120 psi (207 kPa and 827 kPa).

If a reverse osmosis water filtration system is connected to your cold water supply, the water pressure to the reverse osmosis system needs to be a minimum of 40 psi to 60 psi (276 kPa to 414 kPa).

If the water pressure to the reverse osmosis system is less than 40 psi to 60 psi (276 kPa to 414 kPa):

- Check to see whether the sediment filter in the reverse osmosis system is blocked. Replace the filter if necessary.
- Allow the storage tank on the reverse osmosis system to refill after heavy usage.
- If your refrigerator has a water filter, it may further reduce the water pressure when used in conjunction with a reverse osmosis system. Remove the water filter cartridge.

If you have questions about your water pressure, call a licensed, qualified plumber.

Water System Preparation

Please read before using the water system. Follow the instructions specific to your refrigerator model.

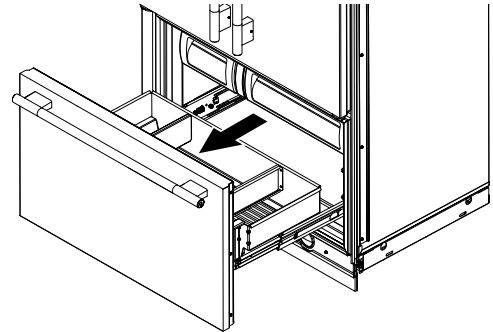
- Connect to potable water supply only.
- Make sure the water valve is ON before you call for service.
- Do not use with water that is microbiologically unsafe or of unknown quality without adequate disinfection before or after the system. Systems certified for cyst reduction may be used on disinfected waters that may contain filterable cysts.

NOTE:

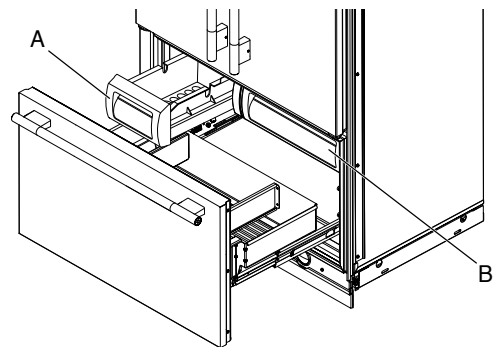
- After installing/replacing the water filter, allow 24 hours for the first ice production.
- Discard the first full bin of ice.
- The ice container will then fill completely around 3 days of time, depending on the ice and freezer usage.
- Make sure the base grille filter is properly installed and the filter cap is in the horizontal position.

To turn ON or OFF the ice maker:

1. Open the freezer drawer.

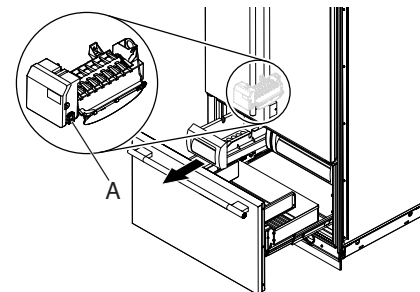


2. Slide the ice bin from the freezer drawer.



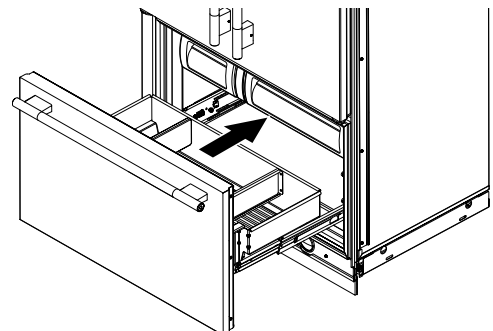
A. Ice bin
B. Freezer Drawer

3. Use the switch to turn ON or OFF the ice maker.



A. Ice maker switch

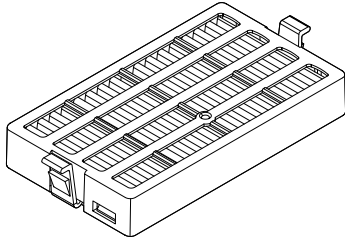
4. Slide back the ice bin and close the freezer drawer.



Odor Absorber (FreshFlow™ Air Filter)

An air filter is 15 times more powerful than baking soda at reducing common food odors inside the refrigerator.

Your refrigerator's accessory packet includes a FreshFlow™ Air Filter, which must be installed prior to use. Please refer to the installation instructions for more information.

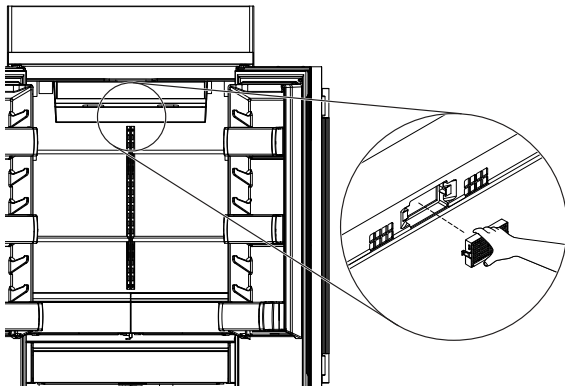


The odor absorber reduces the buildup of odors. This helps to maintain a cleaner environment inside the refrigerator.

Installing the Odor Absorber

The absorber should be installed behind the vented door, which is located (depending on your model) along either the rear or left interior wall near the top of the refrigerator compartment.

1. Remove the odor absorber from its packaging.
2. Snap the absorber in to place.

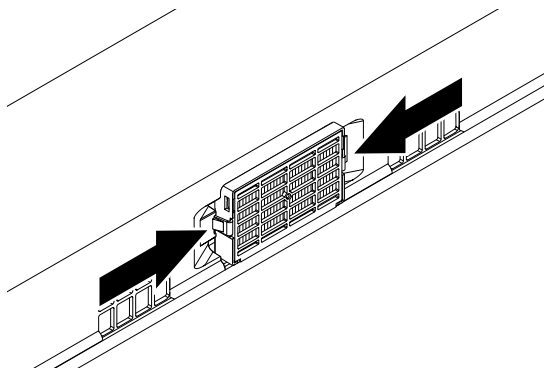


Replacing the Odor Absorber

The disposable odor absorber should be replaced every 6 months, when the status indicator has completely changed from white to red.

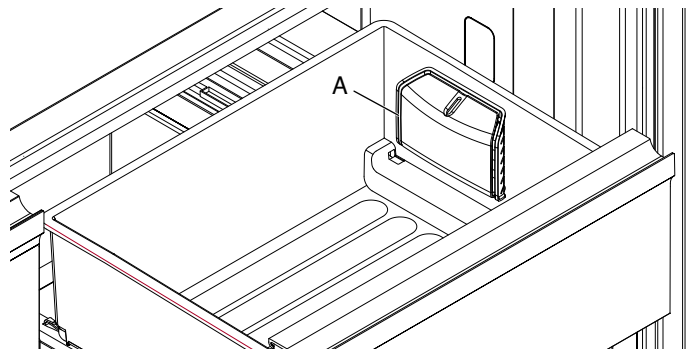
To replace odor absorber, order replacement part **W10311524** online.

- Remove the old odor absorber by squeezing in on the side tabs.
- Install the new air filter by snapping it into place.



Install Produce Preserver

The produce preserver absorbs ethylene to slow the ripening process of many produce items. As a result, certain produce items will stay fresh longer.



A. Produce preserver

Ethylene production and sensitivity varies, depending on the type of fruit or vegetable. To preserve freshness, it is best to separate produce with sensitivity to ethylene from fruits that produce moderate-to-high amounts of ethylene.

	Sensitivity to Ethylene	Ethylene Production
Apples	High	Very High
Asparagus	Medium	Very Low
Berries	Low	Low
Broccoli	High	Very Low
Cantaloupe	Medium	High
Carrots	Low	Very Low
Citrus Fruit	Medium	Very Low
Grapes	Low	Very Low
Lettuce	High	Very Low
Pears	High	Very High
Spinach	High	Very Low

Installing the Produce Preserver

CAUTION: IRRITANT

MAY IRRITATE EYES AND SKIN. DANGEROUS FUMES FORM WHEN MIXED WITH OTHER PRODUCTS.

Do not mix with cleaning products containing ammonia, bleach or acids. Do not get in eyes, on skin or clothing. Do not breathe dust. Keep out of reach of children.

FIRST AID TREATMENT: Contains potassium permanganate. If swallowed, call a Poison Control Center or doctor immediately. Do not induce vomiting. If in eyes, rinse with water for 15 minutes. If on skin, rinse with water.

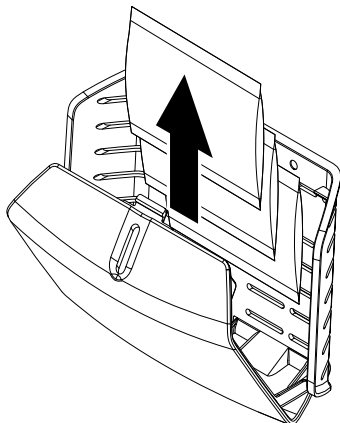
1. Wash the interior of a drawer with a solution of mild dish soap and warm water and dry thoroughly.
2. Find the package containing the Produce Preserver inside the refrigerator and install the Produce Preserver into the drawer according to the instructions provided in the package.

Replacing the Produce Preserver

The disposable packets should be replaced every 6 months or when the status indicator changes completely from white to red.

To order replacements, contact us. See online ordering information in the "Quick Start Guide."

1. Remove the used packets from the produce preserver housing.



2. Remove the used status indicator.
3. Install the replacement packets and status indicator using the instructions included in the package.

REFRIGERATOR USE

Using the Controls

⚠ WARNING



Electrical Shock Hazard

Plug into a grounded 3 prong outlet.

Do not remove ground prong.

Do not use an adapter.

Do not use an extension cord.

Failure to follow these instructions can result in death, fire, or electrical shock.

⚠ WARNING



Explosion Hazard

Keep flammable materials and vapors, such as gasoline, away from appliance.

Use nonflammable cleaner.

Failure to do so can result in death, explosion, or fire.

User interface (UI) Controls are located on the ceiling of the refrigerator compartment.



For your convenience, your refrigerator and freezer controls are preset at the factory.

When you first install your refrigerator, make sure that the controls are still set to the recommended set points. The factory recommended set points are 37°F (3°C) for the refrigerator and 0°F (-18°C) for the freezer.

IMPORTANT:

- Wait 24 hours before you put food into refrigerator. If you add food before refrigerator has cooled completely, your food may spoil.
NOTE: Adjusting the set points to a colder-than recommended setting will not cool compartments any faster.
- If the temperature is too warm or too cold in the refrigerator or freezer, first check the air vents to be sure they are not blocked before adjusting the controls.
- The recommended settings should be correct for normal household use. The controls are set correctly when milk or juice is as cold as you like and when ice cream is firm.
NOTE: Areas such as a garage, basement or porch may have higher humidity or extreme temperatures. You may need to adjust the temperature away from the recommended settings to accommodate for these conditions.
- Wait at least 24 hours between adjustments. Recheck the temperatures before other adjustments are made.

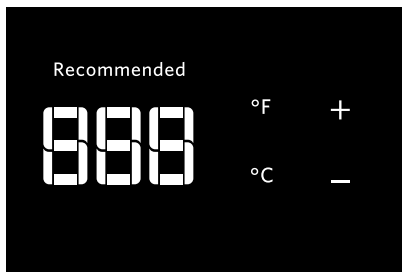
Cooling On/Off

Your refrigerator and freezer will not cool when cooling is turned off.

- Press and hold the Cooling Off button for 3 seconds.
The display will show a countdown timer and enter into cooling on or off mode.

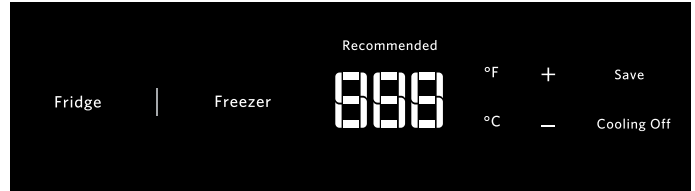
Temperature

Viewing the Temperature in Degrees Celsius



- Press C touch pad to display degree Celsius, press F touch pad to display degree Fahrenheit.
NOTE: If the freezer temperature is below zero, the negative sign next to the freezer display will light up. This is normal.

Adjusting Temperature



The following applies to both the fridge temperature button and freezer temperature button.

Pressing the Freezer or Fridge picture button once will display the compartment temperature.

Press + or - to adjust temperature. Press Save to set the temperature.

The Refrigerator temperature range will be from 33°F to 43°F (1°C to 6°C), with the factory default temperature being 37°F (3°C).

The Freezer temperature range will be from -8°F to 5°F (-22°C to -15°C), with the factory default temperature being 0°F (-18°C).

CONDITION/REASON	TEMPERATURE ADJUSTMENT
REFRIGERATOR too cold	REFRIGERATOR Control 1°C or 2°F higher
REFRIGERATOR too warm	REFRIGERATOR Control 1°C or 2°F lower
FREEZER too cold	FREEZER Control 1°C or 2°F higher
FREEZER too warm/too little ice	FREEZER Control 1°C or 2°F lower

Water Filter Indicator and Reset

The water filter indicator, located on the control panel, will help you know when to change the water filter.

A replacement water filter should be ordered when “Order” is displayed. It is recommended that you replace the filter when “Replace” is displayed or when water flow to your water dispenser and/or ice maker decreases noticeably. See “Changing the Water Filter” later in this section.

After changing the water filter, press and hold FILTER RESET for 3 seconds until the “Order Filter” or “Replace Filter” indicator light disappears.

Filter Reset

After changing the filter, press and hold Filter Reset button for 3 seconds. The display will count down 3,2,1, the filter reset will flash and return to the original display.

See the “Water Filtration System” section for steps to remove and replace filter.

Max Cool/Max Ice

Max Cool

The Max Cool feature assists with full grocery loads, temporarily warm room temperatures, or during heavy door opening use.

- Press **OPTIONS**, and then press Max Cool to turn on the Max Cool feature. Max Cool will remain activated for 24 hours unless manually turned off.

NOTE: The temperature display for the refrigerator compartment will remain at the user's set point, but the actual temperature of the refrigerator compartment will drop to 34°F (1°C), while the Max Cool feature is enabled. After 24 hours, the refrigerator returns to the previous temperature set points.

Max Ice

The Max Ice feature speeds up the ice production rate to assist with periods of heavy ice usage.

- Press **OPTIONS**, and then press Max Ice to turn on the Max Ice feature. Max Ice will remain activated for 24 hours unless manually turned off.

NOTE: The temperature display for the refrigerator and freezer compartments will remain at the user's set points, but the actual temperature of the freezer compartment will drop to -5°F (-21°C), while the Max Ice feature is enabled. After 24 hours, the freezer will return to the previous temperature set point.

- Changing the refrigerator temperature or activating Vacation Mode will deactivate Max Cool/Max Ice.

Sabbath Mode

- Press and hold the Sabbath button for 3 seconds to activate or deactivate sabbath mode.

NOTE: The refrigerator will remain in Sabbath Mode after a power outage.

Alarm Functions

Door Open

An alarm will sound when a door has been open for longer than 5 minutes. Closing the door or drawer, or pressing any Home Screen touch pad (Fridge, Freezer or Options) will reset the Door Open feature and turn off the audio alarm.

NOTE: If the door(s) or drawer are left open for 10 minutes the interior lights will go out. Closing the open door(s) or drawer will reset the lights.

Power Outage

When a power outage occurs, a Power Outage indicator light will be displayed. Press any Home Screen touch pad (Fridge, Freezer or Options) to turn off the indicator light. The power outage indicator light will not display when either Cooling Off or Sabbath mode is active, but will appear after exiting Sabbath mode if a power outage occurred.

Over Temperature

IMPORTANT: If the Over Temperature Alarm activates, your food may spoil. See "Power Interruptions." Minimize door openings until temperatures return to normal.

The Over Temperature feature is designed to let you know when either the refrigerator temperature rises above 48°F (9°C) or the freezer temperature rises above 15°F (-9°C) for longer than 1½ hours. The audio alarm will shut off automatically when the temperature returns to normal, but the indicator light will continue to flash to let you know that an Over Temperature condition occurred until an Over Temperature reset has been performed. Press any Home Screen touch pad (Fridge, Freezer or Options) to turn off the indicator light.

If the over temperature condition is still present when an Over Temperature reset is performed, the indicator light will continue to reactivate every 1½ hours until refrigerator and freezer temperatures are below 48°F (9°C) and 15°F (-9°C), respectively.

Miscellaneous

Showroom Mode

Demo mode for sales floor. Press and Hold the Fridge and Freezer buttons for 5 seconds, the showroom indicator will blink twice to remain on/off.

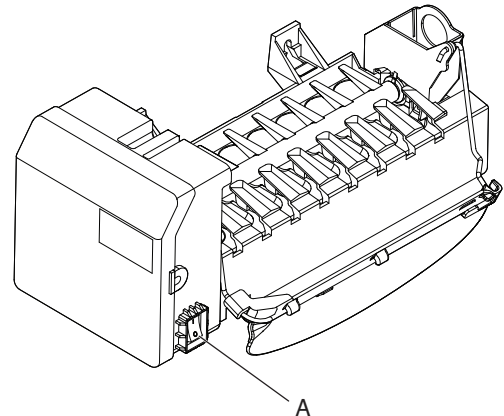
Ice Maker and Storage Bin

IMPORTANT: Flush the water system before turning on the ice maker. See "Water and Ice Dispensers." Allow 24 hours to produce the first batch of ice. Discard the first three batches of ice produced. Allow 3 days to completely fill the ice container.

Turn the Ice Maker On/Off

NOTE: The ice maker has an automatic shut-off feature. Do not force the wire shut-off arm up or down.

1. Use the switch to turn ON or OFF the ice maker.



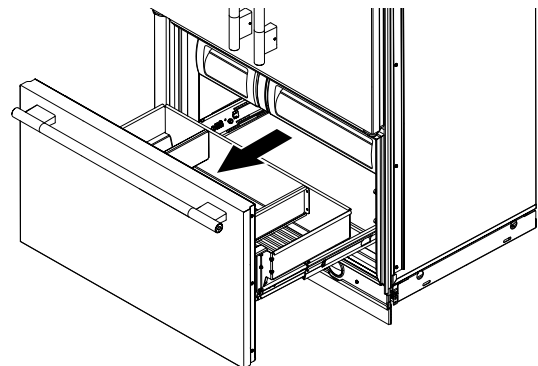
A. Ice maker switch

Clean the Ice Storage Bin

NOTE: It is normal for ice to stick together in the ice bin. Ice may be dispensed or used more frequently which will break up the ice. It is recommended that the ice container be emptied and cleaned as needed.

To clean the ice storage bin:

1. Slide the ice bin out of the freezer, and then lift up and out.



2. Empty the ice bin. Use warm water to melt the ice if necessary.

NOTE: Do not use anything sharp to break up the ice in the bin. This can cause damage to the ice bin and the ice maker mechanism.

- Wash the ice bin with warm water and a mild detergent, rinse well and dry thoroughly. Do not use harsh or abrasive cleaners or solvents.

Remember

- Allow 24 hours to produce the first batch of ice. Allow 3 days to completely fill ice container.
- Discard the first three batches of ice produced to avoid impurities that may be flushed out of the system.
- The quality of your ice will be only as good as the quality of the water supplied to your ice maker.
- Avoid connecting the ice maker to a softened water supply.
- Water softener chemicals (such as salt) can damage parts of the ice maker and lead to poor quality ice. If a softened water supply cannot be avoided, make sure the water softener is operating properly and is well maintained.
- It is normal for the ice cubes to be attached at the corners. They will break apart easily.
- Do not store anything on top of the ice maker or in the ice storage bin/bucket.

Water Filtration System

Do not use with water that is microbiologically unsafe or of unknown quality without adequate disinfection before or after the system. Systems certified for cyst reduction may be used on disinfected waters that may contain filterable cysts.

Water Filter Status Indicator

The water filter indicator, located on the control panel, will help you know when to change the water filter.

Replace status:

- Replace the water filter cartridge when the water filter status display changes to "Replace".

Replace Overdue status:

- When the light turns red on the control panel, this tells you that it is time to change the water filter cartridge.
- It is recommended that you replace the filter when the status light turns red or water flow to your water dispenser or ice maker decreases noticeably.

NOTE: If water flow to your water dispenser or ice maker decreases noticeably, change the filter sooner. The filter should be replaced at least every 6 months, depending on your water quality and usage.

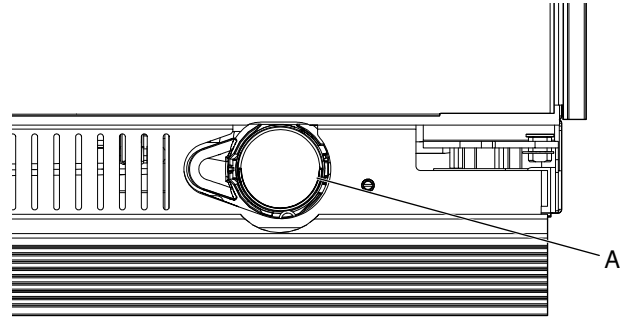
When dispensing water after the Replace Filter icon is on, the Replace Filter icon blinks for the duration of dispensing. This applies for both the Replace Filter status and Replace Overdue status. Fourteen days after the Replace Filter indicator turns On, it shall enter "Replace Overdue" mode.

Filter Reset

After changing the filter, press and hold Filter Reset button for 3 seconds. The button will no longer display once reset.

Changing the Water Filter

The water filter is located in the base grille below the freezer compartment door. It is not necessary to remove the base grille to remove the filter.

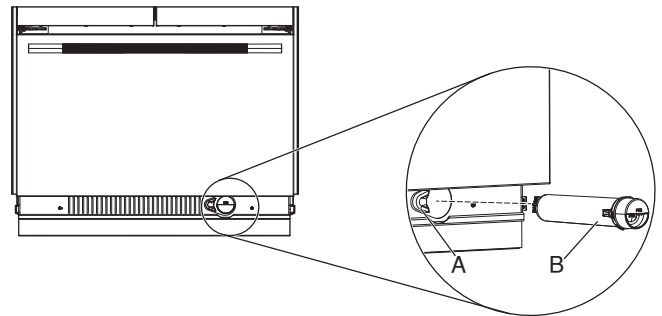


A. Water filter

- Remove the filter by pressing the eject button and pulling straight out on the filter cap.

NOTE:

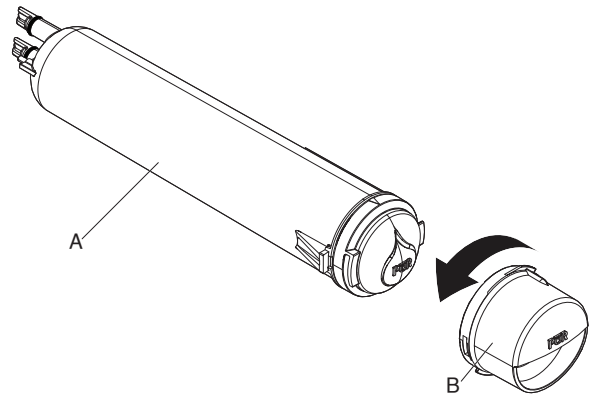
- Avoid twisting the cap when removing the filter because this could cause the cap to come off. If this occurs, replace the cap and pull the filter straight out.
- There will be water in the filter. Some spilling may occur.



A. Eject button
B. Water filter

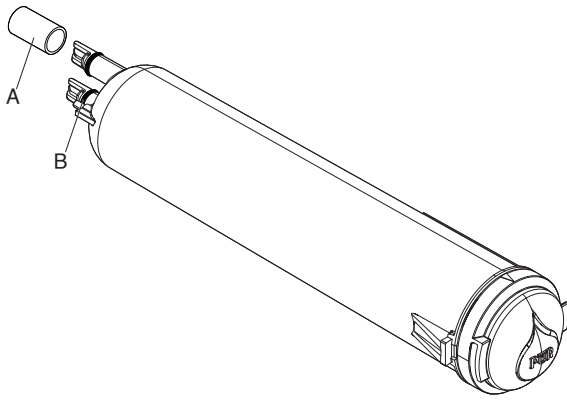
- Remove the cap by turning it counterclockwise until it stops.

IMPORTANT: Do not discard the cap. It is part of your refrigerator. Keep the cap to use with the replacement filter.



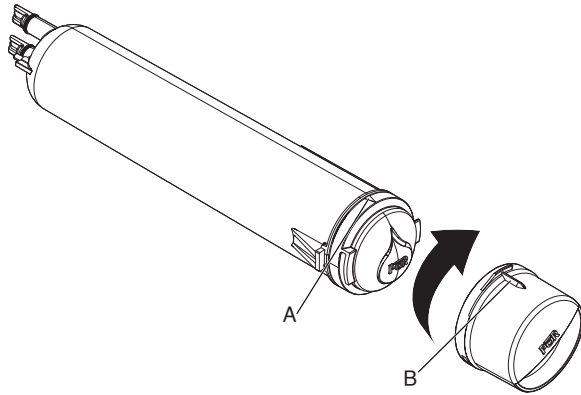
A. Water filter
B. Cap

- Align the ridge on the cap with the arrow on the new filter, and turn the cap until it snaps into place.



A. Cover
B. O-rings

- Remove the covers from the O-rings. Make sure that O-rings are still in place after the covers are removed.
- Place the cap (removed in Step 2) on the new filter. Align the ridge on the cap with the arrow on the filter. Turn the cap clockwise until it snaps into place.



A. Arrow on filter
B. Ridge on cap

- Push the new filter into the opening in the base grille. As the filter is inserted, the eject button will depress. The eject button will pop back out when the filter is fully engaged.
- Pull gently on the cap to check that the filter is securely in place.
- Flush the water system. Depending on your model, see "Water and Ice Dispensers" or "Ice Maker and Storage Bin."

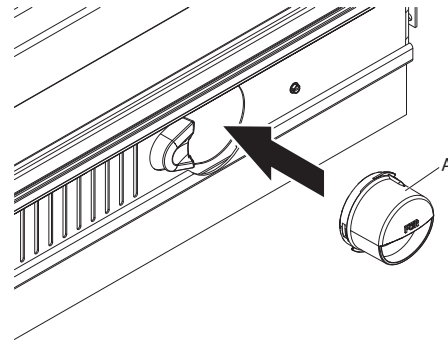
Using the Ice Maker Without a Water Filter

You can operate the ice maker without a water filter. Your ice will not be filtered.

- Remove the filter by pressing the eject button and pulling on the cap. See "Changing the Water Filter" earlier in this section.
- Remove the cap by turning it counterclockwise until it stops.

IMPORTANT: Do not discard the cap. It is part of your refrigerator.

- With the cap in a horizontal position, insert the cap into the base grille until it stops.



A. Cap

- Turn the cap counterclockwise until the cap slips into the attachment slot. Then, turn the cap clockwise until it is in a horizontal position.

NOTE: The cap will not be even with the base grille.

REFRIGERATOR FEATURES

Refrigerator Shelves

Important information to know about glass shelves and covers:

Do not clean glass shelves or covers with warm water when they are cold. Shelves and covers may break if exposed to sudden temperature changes or impact, such as bumping. Tempered glass is designed to shatter into many small, pebble-size pieces. This is normal. Glass shelves and covers are heavy. Use both hands when removing them to avoid dropping.

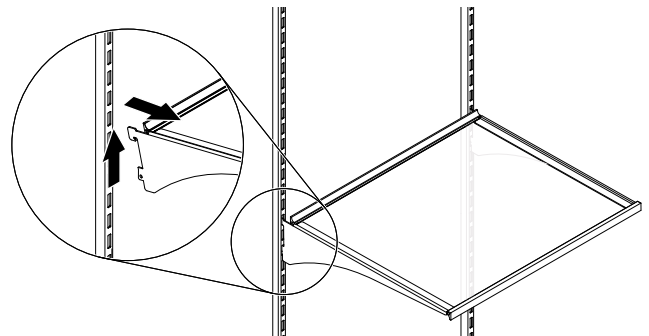
The shelves in your refrigerator are adjustable to match your individual storage needs.

Storing similar food items together in your refrigerator and adjusting the shelves to fit different heights of items will make finding the exact item you want easier. It will also reduce the amount of time the refrigerator door is open, and save energy.

Shelves and Shelf Frames

To remove and replace a shelf/frame:

- Remove the shelf/frame by tilting it up at the front and lifting it out of the shelf supports. Pull shelf straight out.
- Replace the shelf/frame by guiding the rear shelf hooks in to the shelf supports. Tilt the front of the shelf up until the rear shelf hooks drop into the shelf supports.
- Lower the front of the shelf and check that the shelf is in position.



Meat Storage Guide

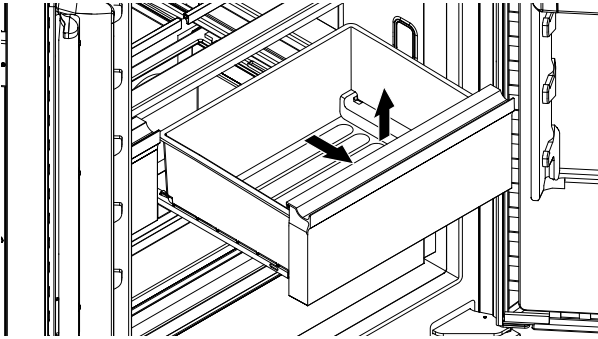
Store most meat in original wrapping as long as it is airtight and moisture-proof. Rewrap if necessary. See the following chart for storage times. When storing meat longer than the times given, freeze the meat.

Fresh fish or shellfish..... use same day as purchased
Chicken, ground beef, variety meats (liver) 1-2 days
Cold cuts, steaks/roasts 3-5 days
Cured meats..... 7-10 days
Leftovers - Cover leftovers with plastic wrap, aluminum foil, or plastic containers with tight lids.

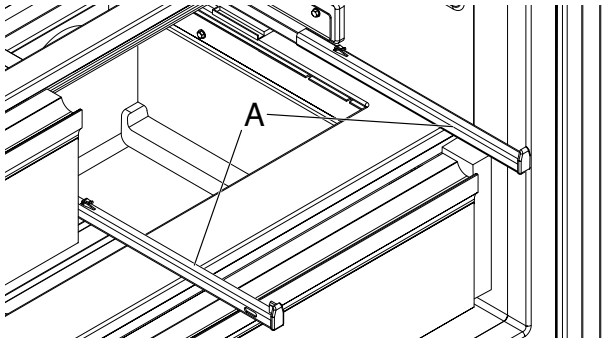
Deli/Crisper Drawers

To remove and replace the deli/crisper drawers:

1. Slide the deli/crisper drawer straight out to the stop. Lift the front of the drawer with one hand while supporting the bottom with the other hand. Slide the drawer out the rest of the way.

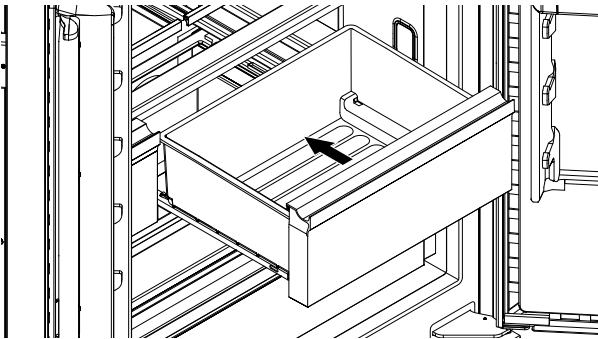


2. To replace the deli/crisper drawer, pull out the drawer slides until they are fully extended and set the drawer on the slides.



A. Drawer slides

3. Push the drawer in toward the back until it is in closed position.



4. Reopen the deli/crisper drawer to make sure it has been replaced properly.

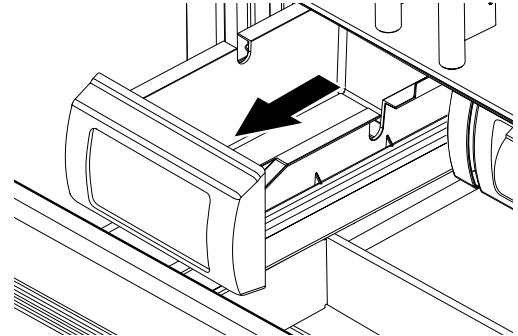
FREEZER FEATURES

Freezer Drawer and Pull-out Ice Bin

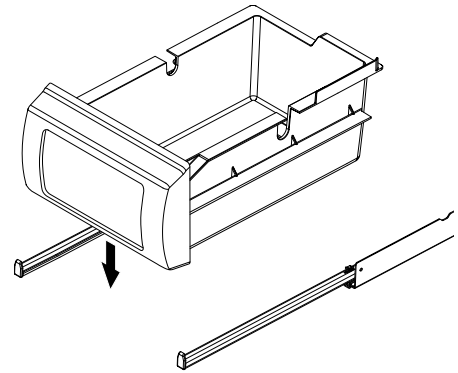
The freezer drawer can be used to store smaller items. The freezer drawer is not removable.

To remove and replace the ice bin:

1. Slide the ice bin out of the freezer, and then lift up and out.



2. To replace the ice bin, pull out the drawer slides until they are fully extended, and then set ice bin on the slides. Push the ice bin in toward the back until it is in closed position.



3. Reopen the ice bin to make sure it has been replaced properly.

Frozen Food Storage Guide

Storage times will vary according to the quality and type of food, the type of packaging or wrap used (should be airtight and moisture-proof), and the storage temperature. Ice crystals inside a sealed package are normal. This simply means that moisture in the food and air inside the package have condensed, creating ice crystals.

Put no more unfrozen food into the freezer than will freeze within 24 hours (no more than 2 to 3 lbs of food per cubic foot [907 g-1,350 g per 28 L] of freezer space). Leave enough space in the freezer for air to circulate around packages. Be sure to leave enough room for the door to close tightly.

For more information on preparing food for freezing, check a freezer guide or reliable cookbook.

DOOR FEATURES

Door Bins

Large door bins hold gallon containers and the smaller door bins hold 2 L bottles. The door bins are adjustable and removable for easy cleaning and adjusting.

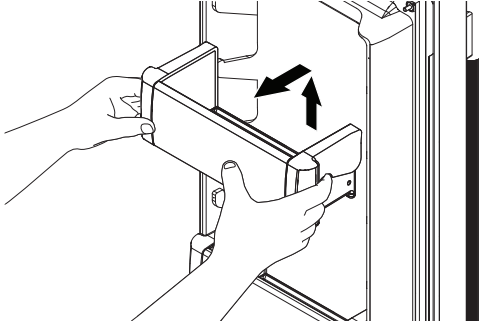
Small Items Bin

NOTE: Proper placement of bin is on top spot of door to avoid items from falling out during opening and closing of door.

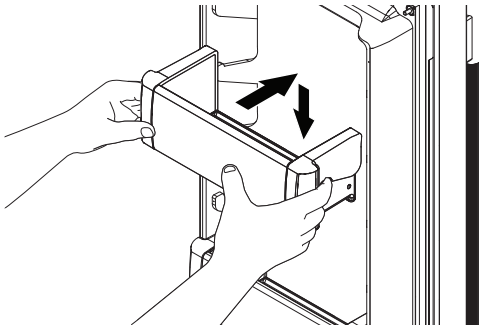
1. Install the Small Items Bin in top spot of door and push down to secure.

To remove and replace the small items bins:

1. Remove the bin by lifting it up and pulling it out.



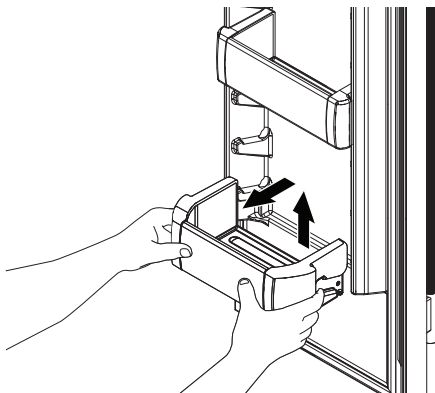
2. Replace the bin by sliding it in above the desired support and pushing down until it stops.



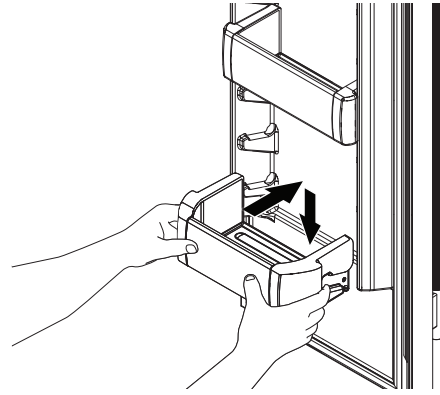
Shallow Door Bins

To remove and replace the shallow door bins:

1. Remove the bin by lifting it up and pulling it out.



2. Replace the bin by sliding it in above the desired support and pushing down until it stops.



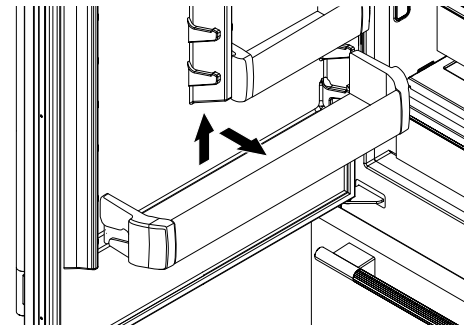
Gallon Door Bin

NOTE: The bin can only be placed on the lower door support.

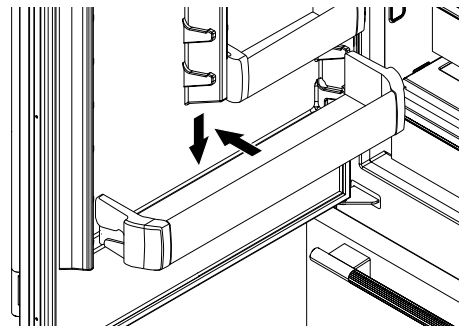
1. Install bin above lowest door support adjustment slot and push down to secure.

To remove and replace the gallon door bin:

1. Remove bin by lifting it up and pulling it out.




2. Replace the bin by sliding it in above the desired support and pushing down until it stops.



MAINTENANCE AND CARE

Cleaning

⚠WARNING



Explosion Hazard

Risk of Fire or Explosion.

Flammable Refrigerant Used.

Do Not Use Mechanical Devices to Defrost Refrigerator.

Do Not Puncture Refrigerant Tubing.

Both the refrigerator and freezer sections defrost automatically. However, clean both sections about once a month to avoid buildup of odors. Wipe up spills immediately.

To Clean Your Refrigerator:

1. Remove the top grille. See "Power On/Off Switch."
2. Press the power switch to OFF.
3. Remove all removable parts from inside, such as shelves, FreshChill drawer, etc.
4. Hand wash, rinse, and dry removable parts and interior surfaces thoroughly. Use a clean sponge or soft cloth and a mild detergent in warm water.
 - Do not use abrasive or harsh cleaners such as window sprays, scouring cleansers, flammable fluids, cleaning waxes, concentrated detergents, bleaches or cleansers containing petroleum products on plastic parts, interior and door liners or gaskets. Do not use paper towels, scouring pads, or other harsh cleaning tools. These can scratch or damage materials.
 - To help remove odors, you can wash interior walls with a mixture of warm water and baking soda (2 tbs to 1 qt [26 g to 0.95 L] of water).
5. Wash stainless steel and painted metal exteriors with a clean sponge or soft cloth and a mild detergent in warm water. Do not use abrasive or harsh cleaners, or cleaners containing chlorine. Dry thoroughly with a soft cloth.


NOTE: To keep your Stainless Steel refrigerator looking like new and to remove minor scuffs or marks, it is suggested that you use the manufacturer's approved Stainless Steel Cleaner and Polish.

IMPORTANT: This cleaner is for stainless steel parts only. Do not allow the Stainless Steel Cleaner and Polish to come into contact with any plastic parts such as the trim pieces, dispenser covers or door gaskets. If unintentional contact does occur, clean plastic part with a sponge and mild detergent in warm water. Dry thoroughly with a soft cloth. To order the cleaner, see "Accessories."

6. Press the power switch to ON.
7. Replace the top grille. See "Power On/Off Switch."

Condenser Cleaning

⚠WARNING



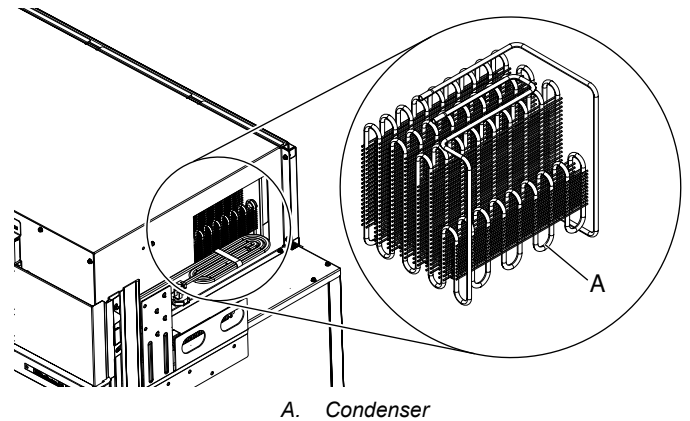
Explosion Hazard

Risk of Fire or Explosion due to Puncture of Refrigerant Tubing;

Follow Handling Instructions Carefully.

Flammable Refrigerant Used.

There is no need for routine condenser cleaning in normal home operating environments. If the environment is particularly greasy or dusty or there is significant pet traffic in the home, the condenser should be cleaned every 6 months to ensure maximum efficiency.



1. Unplug refrigerator or disconnect power.
2. Remove the upper grille.
3. Use a vacuum cleaner with a soft brush to clean the grille, the open areas behind the grille, and the front surface area of the condenser.
4. Replace the base grille when finished.
5. Plug in refrigerator or reconnect power.

NOTE: If you are unable to clean the condenser, please call for service.

Changing the LED Module

IMPORTANT: The lights in both the refrigerator and freezer compartments use LED technology. If the lights do not illuminate when the door or drawer is opened, call for assistance or service. Refer to the "Quick Start Guide" for contact information. If an LED module(s) do not illuminate when the refrigerator and/or freezer door is opened, call for assistance or service.

Power Interruptions

If the power will be out for 24 hours or less, keep the door or doors closed (depending on your model) to help food stay cold and frozen.

If the power will be out for more than 24 hours, do one of the following:

- Remove all frozen food and store it in a frozen food locker.
- Place 2 lbs (907 g) of dry ice in the freezer for every cubic foot (28 L) of freezer space. This will keep the food frozen for 2 to 4 days.
- If neither a food locker nor dry ice is available, consume or can perishable food at once.

IMPORTANT: A full freezer stays cold longer than a partially filled one. A freezer full of meat stays cold longer than a freezer full of baked goods. If you see that food contains ice crystals, it may be refrozen, although the quality and flavor may be affected. If the condition of the food is poor, dispose of it.

Vacation Care

If You Choose to Turn Off the Refrigerator Before You Leave:

1. Remove all food from the refrigerator.
2. If your refrigerator has an automatic ice maker:
 - Turn off the water supply to the ice maker at least one day ahead of time.
 - When the last load of ice drops, raise the wire shutoff arm to the Off (up) position or press the switch to Off, depending on your model.
3. Under the Fridge or Freezer menu, press and hold Cooling Off for 3 seconds to turn off cooling.

NOTE: To turn off the power completely, use the power On/Off switch located behind the top grille. See "Power On/Off Switch."
4. Clean refrigerator, wipe it, and dry well.
5. Tape rubber or wood blocks to the tops of both doors to prop them open far enough for air to get in. This stops odor and mold from building up.

When you get to your new home, put everything back and refer to the "Installation Instructions" section for preparation instructions. Also, if your refrigerator has an automatic ice maker, remember to reconnect the water supply to the refrigerator.


TROUBLESHOOTING

Refrigerator Operation

First try the solutions suggested here to avoid service call. If you need further assistance, refer to the contact information in the "Quick Start Guide."

The Refrigerator will not Operate

⚠ WARNING



Electrical Shock Hazard

Plug into a grounded 3 prong outlet.

Do not remove ground prong.

Do not use an adapter.

Do not use an extension cord.

Failure to follow these instructions can result in death, fire, or electrical shock.

- **Power cord unplugged?** Plug into a grounded 3 prong outlet.
- **Is outlet working?** Plug in a lamp to see if the outlet is working.
- **Household fuse blown or circuit breaker tripped?** Replace the fuse or reset the circuit breaker. If the problem continues, call an electrician.
- **Are controls on?** Make sure the refrigerator controls are on. See "Using the Controls."
- **Is refrigerator defrosting?** Your refrigerator will regularly run an automatic defrost cycle. Recheck in 45 minutes to see if it is operating.
- **New installation?** Allow 24 hours following installation for the refrigerator to cool completely.

NOTE: Adjusting the temperature controls to the coldest setting will not cool either compartment more quickly.

The Motor Seems to Run too Much

Your new refrigerator may run longer than your old one due to its high-efficiency compressor and fans. The unit may run even longer if the room is warm, a large food load is added, doors are opened often, or if the doors have been left open.

If the Refrigerator is Noisy

Refrigerator noise has been reduced over the years. Due to this reduction, you may hear intermittent noises from your new refrigerator that you did not notice from your old model. Below are listed some normal sounds with an explanation.

- **Buzzing** - heard when the water valve opens to fill the ice maker.
- **Pulsating** - fans/compressor adjusting to optimize performance.
- **Rattling** - flow of refrigerant, water line, or from items placed on top of the refrigerator.
- **Sizzling/Gurgling** - water dripping on the heater during defrost cycle.
- **Popping** - contraction/expansion of inside walls, especially during initial cool-down.
- **Water running** - may be heard when water melts during the defrost cycle and runs into the drain pan.

- **Creaking/Cracking** - occurs as ice is being ejected from the ice maker mold.
- **Banging noise during ice maker or water dispensing operation** - Check if a water hammer arrestor is required to be installed. Refer to the “Water Supply Requirements” section for more information.

There is no Audible Door Open Alarm

Has the door been open less than 10 minutes?

The door open alarm will only flash when the door has been open for 10 minutes. The audible alarm will sound the first time the door is left open for more than 10 minutes. Subsequent door open alarms will only flash. You must reset the audible alarm each time. See “Using the Controls.”

The Doors will not Close Completely

- **Door blocked open?** Move food packages away from door.
- **Bin or shelf in the way?** Push bin or shelf back in the correct position.

The Doors are Difficult to Open

⚠ WARNING



Explosion Hazard

Keep flammable materials and vapors, such as gasoline, away from appliance.

Use nonflammable cleaner.

Failure to do so can result in death, explosion, or fire.

Are the gaskets dirty or sticky? Clean gaskets with mild soap and warm water.

The Lights Do not Work

Is the refrigerator in Sabbath mode? See “Using the Controls.”

Has the door been open more than 10 minutes? See “Using the Controls.”

Temperature and Moisture

Temperature is Too Warm

- **New installation?** Allow 24 hours following installation for the refrigerator to cool completely.
- **Door(s) opened often or left open?** Allows warm air to enter refrigerator. Minimize door openings and keep doors fully closed.
- **Large load of food added?** Allow several hours for refrigerator to return to normal temperature.
- **Controls set correctly for the surrounding conditions?** Adjust the controls a setting colder. Check temperature in 24 hours. See “Using the Controls.”
- **Refrigerator not cooling?** For models with digital controls, turn the refrigerator off and then on to reset. If this does not correct the problem, call for service.
- **Air vents blocked?** Remove any item from in front of the air vents.

There is Interior Moisture Buildup

NOTE: Some moisture buildup is normal.

- **Humid room?** Contributes to moisture buildup.
- **Door(s) opened often or left open?** Allows humid air to enter refrigerator. Minimize door openings and keep doors fully closed.

Ice and Water

The Ice Maker is Not Producing Ice or not Enough Ice

- **Refrigerator connected to a water supply and the supply shut-off valve turned on?** Connect refrigerator to water supply and turn water shut-off valve fully open.
- **Kink in the water source line?** A kink in the line can reduce water flow. Straighten the water source line.
- **Ice maker turned on?** Make sure switch is in the ON position.
- **New installation?** Wait 24 hours after ice maker installation for ice production to begin. Wait around 72 hours for full ice production.
- **Large amount of ice recently removed?** Allow 24 hours for ice maker to produce more ice.
- **Ice cube jammed in the ice maker ejector arm?** Remove ice from the ejector arm with a plastic utensil.
- **Reverse osmosis water filtration system connected to your cold water supply?** This can decrease water pressure. See “Water Supply Requirements”.

The Ice Cubes are Hollow or Small

NOTE: This is an indication of low water pressure.

- **Water shut-off valve not fully open?** Turn the water shut-off valve fully open.
- **Kink in the water source line?** A kink in the line can reduce water flow. Straighten the water source line.
- **Reverse osmosis water filtration system connected to your cold water supply?** This can decrease water pressure. See “Water Supply Requirements.”
- **Questions remain regarding water pressure?** Call a licensed, qualified plumber.

Ice is Sticking Together in the Ice Storage Bin

- It is normal for frost to be on top of the ice storage bin due to normal opening and closing of the freezer.
- It is normal for ice to stick together when it is not dispensed or used frequently. It is recommended that the ice storage bin be emptied and cleaned as needed. See “Ice Maker and Storage Bin.”

Off-Taste, Odor or Gray Color in the Ice

- **New plumbing connections?** New plumbing connections can cause discolored or off-flavored ice.
- **Ice stored too long?** Discard ice. Wash ice bin. Allow 24 hours for ice maker to make new ice.
- **Odor transfer from food?** Use airtight, moisture proof packaging to store food.
- **Are there minerals (such as sulfur) in the water?** A water filter may need to be installed to remove the minerals.
- **Is there a water filter installed on the refrigerator?** Gray or dark discoloration in ice indicates that the water filtration system needs additional flushing.

PERFORMANCE DATA SHEET

Water Filtration System

**Model EDR3RXD1B/P1WB2 Capacity 200 Gallons (757 Liters) with PID; 100 Gallons (378 Liters) without PID
Replacement Filter EDR3RXD1, EDR3RXD1B, WHR3RXD1, KAD3RXD1 and EDR3RXD1R**



System tested and certified by NSF International against NSF/ANSI Standard 42, 53, 401, and CSA B483.1 for the reduction of contaminants specified on the Performance Data Sheet.

This system has been tested according to NSF/ANSI Standards 42, 53, 401, and CSA B483.1 for the reduction of the substances listed below. The concentration of the indicated substances in water entering the system was reduced to a concentration less than or equal to the permissible limit for water leaving the system, as specified in NSF/ANSI Standards 42, 53, 401, and CSA B483.1.

Substance Reduction	Influent Challenge Concentration	Maximum Permissible Product Water Concentration	Average % Reduction
Aesthetic Effects			
Chlorine Taste/Odor	2.0 mg/L ± 10%	50% reduction	97.4%
Particulate Class I*	At least 10,000 particles/mL	85% reduction	> 99.9%
Contaminant Reduction	Influent Challenge Concentration	Maximum Permissible Product Water Concentration	Average % Reduction
Lead: @ pH 6.5/@ pH 8.5	0.150 mg/L ± 10%	0.005 mg/L	> 99.7% / > 99.7%
Mercury: @ pH 6.5/@ pH 8.5	0.006 mg/L ± 10%	0.002 mg/L	> 96.6% /96.7%
Asbestos	10 ⁷ to 10 ⁸ fibers/L ^{††}	99%	> 99.0%
Live Cysts [†]	50,000/L min.	99.95%	> 99.99%
Turbidity	11 NTU ± 10%	0.5 NTU	99.1%
Atrazine	0.009 mg/L ± 10%	0.003 mg/L	> 94.0%
Benzene	0.015 mg/L ± 10%	0.005 mg/L	> 96.9%
Carbofuran	0.080 mg/L ± 10%	0.040 mg/L	> 98.7%
Endrin	0.006 mg/L ± 10%	0.002 mg/L	> 96.8%
Ethylbenzene	2.100 mg/L ± 10%	0.700 mg/L	> 99.9%
Lindane	0.002 mg/L ± 10%	0.0002 mg/L	> 99.1%
MTBE	0.015 mg/L ± 10%	0.005 mg/L	93.2%
O-Dichlorobenzene	1.800 mg/L ± 10%	0.600 mg/L	> 99.9%
Tetrachloroethylene	0.015 mg/L ± 10%	0.005 mg/L	> 96.8%
Toxaphene	0.015 mg/L ± 10%	0.003 mg/L	> 93.3%
TTHM	0.045 mg/L ± 10%	0.080 mg/L	98.6%
VOC	0.300 mg/L ± 10%	0.015 mg/L	99.7%
Atenolol	200 ± 20%	30 ng/L	> 95.1%
Trimethoprim	140 ng/L ± 20%	20 ng/L	> 96.6%
Linuron	140 ng/L ± 20%	20 ng/L	> 96.7%
Estrone	140 ng/L ± 20%	20 ng/L	> 96.1%
Nonylphenol	1400 ng/L ± 20%	200 ng/L	> 95.8%
Meprobamate	400 ng/L ± 20%	60 ng/L	> 94.9%
Carbamazepine	1400 ng/L ± 20%	200 ng/L	> 98.6%
DEET	1400 ng/L ± 20%	200 ng/L	> 98.8%

Contaminant Reduction	Influent Challenge Concentration	Maximum Permissible Product Water Concentration	Average % Reduction
Metolachlor	1400 ng/L ± 20%	200 ng/L	> 98.7%
TCEP	5000 ng/L ± 20%	700 ng/L	> 98.0%
T CPP	5000 ng/L ± 20%	700 ng/L	> 98.0%
Phenytoin	200 ng/L ± 20%	30 ng/L	> 93.8%
Ibuprofen	400 ng/L ± 20%	60 ng/L	> 93.9%
Naproxen	140 ng/L ± 20%	20 ng/L	> 95.8%
Bisphenol A	2000 ng/L ± 20%	300 ng/L	> 98.9%

Test Parameters: pH = 7.5 ± 0.5 unless otherwise noted. Flow = 0.5 GPM (1.89 LPM). Pressure = 60 psi (413.7 kPa). Temperature = 68°F to 71.6°F (20°C to 22°C). Rated service capacity = 200 gallons (757 liters).

The compounds certified under NSF 401 have been deemed as “emerging compounds/incidental contaminants.” Emerging compounds/incidental contaminants are those compounds that have been detected in drinking water supplies at trace levels. While occurring at only trace levels, these compounds can affect the public acceptance/perception of drinking water quality.

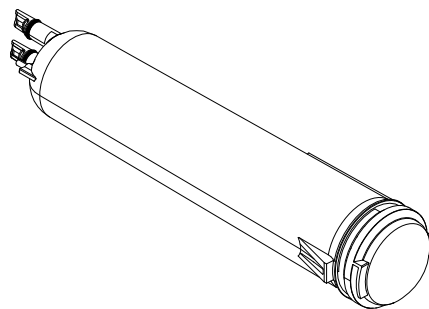
- For installation, operation, and maintenance instructions please refer to the Owner’s Manual.
- It is important that operational, maintenance, and filter replacement requirements be carried out for the product to perform as advertised. Property damage can occur if all instructions are not followed.
- The disposable cartridge must be changed at least every 6 months.
- Use replacement filter part #EDR3RXD1/EDR3RXD1B. 2025 suggested retail price of \$59.99 U.S.A./\$69.99 Canada. Prices are subject to change without notice.
- The filter monitor system measures the amount of water that passes through the filter and alerts you when it is time to replace the filter. To learn how to check the water filter status, see “Using the Controls” section page 8 or “Water Filtration System” section page 11 in the Owner’s Manual.
- After changing the water filter, flush the water system. See “Water System Preparation” section page 6 in the Owner’s Manual.
- These contaminants are not necessarily in your water supply. While testing was performed under standard laboratory conditions, actual performance may vary.
- The product is for cold water use only.
- The water system must be installed in compliance with state and local laws and regulations.
- Do not use with water that is microbiologically unsafe or of unknown quality without adequate disinfection before or after the system. Systems certified for cyst reduction may be used on disinfected waters that may contain filterable cysts. EPA Est. No. 082047-TWN-001.
- Refer to the “Warranty” section for the Manufacturer’s limited warranty, name and telephone number.

Application Guidelines/Water Supply Parameters

Water Supply	Potable City or Well
Water Pressure	30 psi-120 psi (207 kPa-827 kPa)
Water Temperature	33°F-100°F (0.6°C-37.8°C)
Service Flow Rate	0.5 GPM (1.89 LPM) @ 60 psi (413.7 kPa)

- Your water filtration system will withstand up to 120 pounds per square inch (psi) water pressure. If your water supply is higher than 80 psi, install a pressure reducing valve before installing the water filtration system.

Consumer Support **1.800.442.9991**
By Whirlpool Corporation
2000 North M63
Benton Harbor, MI 49022
Made in Taiwan.



*Class I particle size: > 0.5 um to 1 um

†Based on the use of Cryptosporidium parvum oocysts

‡Fibers greater than 10 um in length

©NSF is a registered trademark of NSF International.

SÉCURITÉ DU RÉFRIGÉRATEUR

Votre sécurité et celle des autres sont très importantes.

Nous donnons de nombreux messages de sécurité importants dans ce manuel et sur votre appareil. Assurez-vous de toujours lire tous les messages de sécurité et de vous y conformer.



Voici le symbole d'alerte de sécurité.

Ce symbole d'alerte de sécurité vous signale les dangers potentiels de décès et de blessures graves.

Tous les messages de sécurité suivront le symbole d'alerte de sécurité et le mot « DANGER » ou « AVERTISSEMENT ». Ces mots signifient :

⚠ DANGER

Risque possible de décès ou de blessure grave si vous ne suivez pas immédiatement les instructions.

⚠ AVERTISSEMENT

Risque possible de décès ou de blessure grave si vous ne suivez pas les instructions.

Tous les messages de sécurité vous diront quel est le danger potentiel, comment réduire le risque de blessure et ce qui peut se produire en cas de non-respect des instructions.

IMPORTANTES INSTRUCTIONS DE SÉCURITÉ

AVERTISSEMENT : Afin de réduire le risque d'incendie, de décharge électrique ou de blessures lors de l'utilisation de l'appareil, il convient d'observer certaines précautions fondamentales, notamment :

- Les enfants doivent être surveillés afin de s'assurer qu'ils ne jouent pas avec l'appareil.
- Cet appareil ne convient pas à une utilisation par des personnes (y compris des enfants) à capacités physiques, sensorielles ou mentales réduites, ou possédant un manque d'expérience et de connaissances, à moins qu'elles ne soient placées sous supervision ou qu'elles aient reçu des instructions concernant l'utilisation de l'appareil par une personne responsable de leur sécurité.
- Ne pas utiliser de câble de rallonge.
- Si le cordon d'alimentation est endommagé, il doit être remplacé par le fabricant, son agent de réparation ou toute autre personne qualifiée afin d'éviter tout danger.
- Brancher sur une alimentation en eau potable uniquement.
- Cet appareil est destiné à un usage domestique et à d'autres usages similaires comme : coins cuisine réservés au personnel des boutiques, des bureaux et d'autres environnements professionnels; maisons d'hôtes, ainsi que par les clients d'hôtel, de motels et d'autres installations d'hébergement; gîtes touristiques; et banquets et autres utilisations non commerciales semblables.
- Ne pas entreposer de substances explosives comme des aérosols avec agent propulseur inflammable dans cet appareil.
- Utiliser le nouvel ensemble de tuyaux fournis avec l'appareil, ne pas réutiliser les anciens tuyaux.
- Ne pas utiliser de pièces de remplacement qui n'ont pas été recommandées par le fabricant (c.-à-d., pièces fabriquées à la maison à l'aide d'une imprimante 3D).
- Garder les événements à l'intérieur de l'enceinte de l'appareil ou de la structure encastrée exempte d'obstacles.
- Ne pas utiliser des appareils mécaniques ou autres moyens pour accélérer le processus de dégivrage, autre que ceux recommandés par le fabricant.
- Ne pas endommager le circuit réfrigérant.
- Ne pas utiliser des appareils électriques à l'intérieur des compartiments d'aliments de l'appareil, à moins qu'ils soient de type recommandé par le fabricant.
- L'ensemble pour machine à glaçons peut être ajouté à certains modèles. Consulter la plaque signalétique située à l'intérieur du compartiment pour les aliments de l'appareil pour obtenir les informations concernant le modèle d'ensemble pour machine à glaçons.
- L'installation de la conduite d'eau et de la machine à glaçons doit être effectuée par un technicien de service qualifié. Consulter les instructions d'installation fournies avec l'ensemble pour machine à glaçons pour tous les détails.
- Ne pas installer un parasurtenseur ou un bloc d'alimentation portatif derrière l'appareil.
- Cet appareil peut être utilisé à une altitude maximale de 2 000 m (6 561,7 pi) par rapport au niveau de la mer.
- Lors du positionnement de l'appareil, s'assurer que le cordon d'alimentation n'est pas coincé ou endommagé.
- Ne pas installer un parasurtenseur ou un bloc d'alimentation portatif derrière l'appareil.
- Pour éviter un danger provoqué par l'instabilité de l'appareil, ce dernier doit être fixé selon les directives fournies dans les instructions d'installation.

CONSERVER CES INSTRUCTIONS

Mise au rebut du vieux réfrigérateur

⚠ AVERTISSEMENT



Risque de basculement

La partie du haut du réfrigérateur est très lourde, ce qui peut le faire basculer facilement lorsqu'il n'est pas complètement installé.

Garder les portes fermées avec du ruban jusqu'à la fin de l'installation du réfrigérateur.

Utiliser au moins deux personnes pour déplacer et installer le réfrigérateur.

Ne pas respecter cette instruction peut causer un décès ou une blessure grave.

AVERTISSEMENT : Un enfant peut rester piégé. Avant de jeter votre vieux réfrigérateur ou congélateur :

- Enlever les portes.
- Laisser les tablettes en place de sorte que les enfants ne puissent pas y pénétrer facilement.

⚠ AVERTISSEMENT

Risque de suffoquer

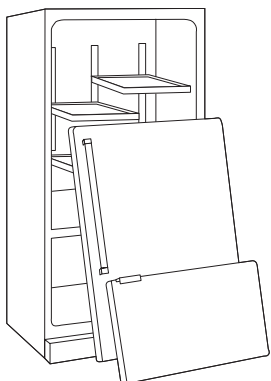
Enlever les portes ou le couvercle de votre vieil appareil.

Le non-respect de cette instruction peut causer un décès ou des lésions cérébrales.

IMPORTANT : Le risque qu'un enfant puisse se retrouver coincé et suffoquer n'est pas chose du passé. Les réfrigérateurs jetés ou abandonnés restent dangereux, même s'ils ne restent à l'extérieur que pour « quelques jours seulement ». Si l'ancien réfrigérateur doit être mis au rebut, suivre les instructions suivantes afin d'éviter les accidents.

Informations importantes à connaître pour l'élimination du liquide réfrigérant :

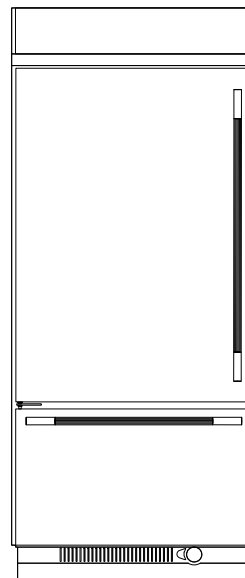
Jeter le réfrigérateur conformément aux règlements fédéraux et locaux. Les liquides réfrigérants doivent être évacués par un technicien en réfrigération accrédité EPA, conformément aux procédures établies.



MISE EN PLACE

Modèles

Réfrigérateur superposé de la série Stainless Steel

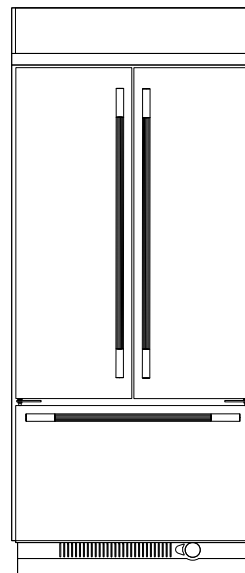


Série Stainless

Se caractérise par un style enveloppant qui complète les poignées de porte galbées. Cette série procure un réfrigérateur encastré d'apparence commerciale.

KBBL336SPS; KBBR336SPS

Réfrigérateur avec congélateur en bas et porte à double battant de la série en acier inoxydable

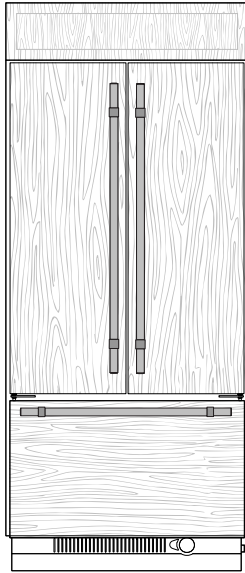


Série Stainless

Se caractérise par un style enveloppant qui complète les poignées de porte galbées. Cette série procure un réfrigérateur encastré d'apparence commerciale.

KBFN536SPS; KBFN536SBE; KBFN536SJP; KBFN542SPS; KBFN542SJP; KBFN542SBE

Réfrigérateur avec congélateur en bas et porte à double battant de la série Overlay



Série Overlay

Se caractérise par des garnitures d'origine de style décoratif procurant un aspect « sans cadre ». Cette série nécessite l'installation de panneaux, poignées et supports personnalisés.

KBFN536SPA; KBFN542SPA

Déballage du réfrigérateur

⚠ AVERTISSEMENT

Risque de poids excessif

Utiliser deux personnes ou plus pour déplacer et installer l'appareil.

Le non-respect de cette instruction peut causer une blessure au dos ou d'autres blessures.

Livraison du réfrigérateur

- Une ouverture de porte minimum de 33 po (838 mm) est nécessaire. Si l'ouverture est inférieure ou égale à 36 po (914 mm), il faudra enlever les portes, tiroirs et charnières.
- Pousser le chariot avec le réfrigérateur de côté pour toutes les ouvertures de porte.

Lors du déplacement du réfrigérateur :

Ce réfrigérateur est lourd. Lors du déplacement de ce réfrigérateur pour un nettoyage ou un entretien, veiller à recouvrir le plancher d'un carton ou panneau de fibre dur pour éviter de l'endommager. Toujours tirer le réfrigérateur tout droit lors du déplacement. Ne pas incliner le réfrigérateur d'un côté ou de l'autre ni le « faire marcher » en essayant de le déplacer, car le sol pourrait être endommagé.

Retrait des matériaux d'emballage

- Enlever tout résidu de ruban adhésif et de colle des surfaces avant de mettre en marche votre tiroir de réfrigération. Frotter une petite quantité de savon liquide à vaisselle sur l'adhésif avec les doigts. Rincer à l'eau tiède et sécher.
- Ne pas utiliser d'instruments coupants, d'alcool à friction, de liquides inflammables ou de nettoyants abrasifs pour enlever le ruban adhésif ou la colle. Ces produits peuvent endommager la surface du réfrigérateur. Pour plus de renseignements, voir la section « Sécurité du réfrigérateur ».
- Éliminer/recycler tous les matériaux d'emballage.

Nettoyage avant utilisation

Après avoir enlevé tous les matériaux d'emballage, nettoyer l'intérieur du réfrigérateur avant de l'utiliser. Voir les instructions de nettoyage dans la section « Entretien du réfrigérateur ».

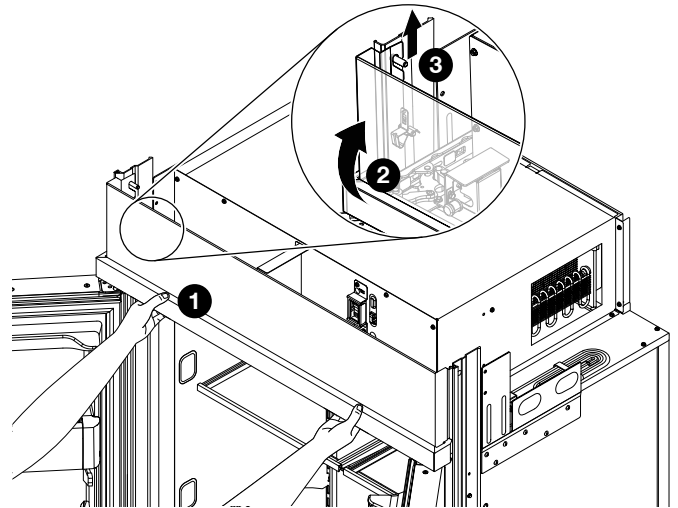
Informations importantes à propos des tablettes et des couvercles en verre :

Ne pas nettoyer les tablettes ou les couvercles de verre avec de l'eau tiède lorsqu'ils sont froids. Les tablettes et couvercles peuvent se briser s'ils sont exposés à un changement de températures ou impact soudain, tel qu'une chute. Le verre trempé est conçu pour se briser en de multiples petits morceaux de la taille de gravillons. Ceci est normal. Les tablettes en verre et les couvercles sont lourds. Employer les deux mains lorsqu'on les retire afin d'éviter de les faire tomber.

Marche/arrêt de l'alimentation

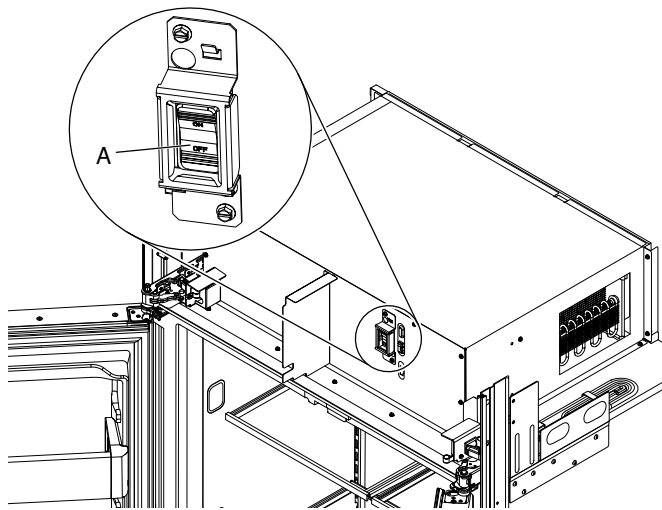
Pour mettre le réfrigérateur sous tension ou hors tension, il faut retirer la grille supérieure afin d'accéder à l'interrupteur. Mettre le réfrigérateur hors tension avant de le nettoyer.

1. Ouvrir les portes du réfrigérateur.
2. Placer les mains sous le panneau de la grille supérieure. Tenir le bord inférieur avec les doigts et les pouces.
3. Tirer le panneau de la grille tout droit jusqu'à la position de butée de la grille. Soulever ensuite le panneau de la grille pour le retirer.



4. Mettre l'interrupteur d'alimentation à la position ON (MARCHE) ou OFF (ARRÊT).

REMARQUE : Lorsque le réfrigérateur est éteint pendant une période prolongée, retirer les aliments et vider le bac à glace.



A. Interrupteur d'alimentation

Pour réinstaller la grille supérieure :

1. Insérer les crochets de la grille supérieure (situés à l'arrière de la grille supérieure) dans les boulons de montage de la garniture latérale.
2. Tirer légèrement la grille vers le bas et pousser la partie inférieure vers l'intérieur pour la bloquer en place.

IMPORTANT : S'assurer que l'interrupteur d'alimentation est sur ON (MARCHE) après avoir nettoyé ou réparé le réfrigérateur.

Spécifications de l'alimentation en eau

Lire toutes les instructions avant de commencer.

IMPORTANT :

- Lire la section « Raccordement à la canalisation d'eau » dans les instructions d'installation. Pour toute question, voir à la section « Dépannage » ou contacter un plombier certifié.
- Si le réfrigérateur est mis en marche avant d'avoir été raccordé à la conduite d'eau, la machine à glaçons s'éteint. Voir la section « Machine à glaçons et bac d'entreposage ».
- Toutes les installations doivent être conformes aux exigences des codes locaux de plomberie.
- Raccorder à la canalisation d'arrivée d'eau potable uniquement.

Ne pas utiliser ce produit pour filtrer une eau microbiologiquement polluée ou de qualité inconnue en l'absence d'un dispositif de désinfection adéquat en amont ou en aval du système. Les systèmes certifiés pour la réduction des kystes peuvent être utilisés pour une eau désinfectée susceptible de contenir des kystes filtrables.

- Lors de l'utilisation de la machine à glaçons ou du distributeur d'eau, un bruit de claquement peut se produire en raison de changements rapides de la pression de l'eau dans les tuyaux de votre maison. Pour remédier à ce problème, il convient d'installer un dispositif antibélier à l'endroit où la conduite d'eau du réfrigérateur se raccorde à l'alimentation en eau de la maison. Ce dispositif absorbe les chocs de pression et arrête les coups. Pour effectuer une bonne installation de l'antibélier, contacter un plombier certifié.

Pression d'eau

Une alimentation en eau froide avec une pression entre 30 lb/po² et 120 lb/po² (207 kPa et 827 kPa) est nécessaire pour faire fonctionner le distributeur d'eau et la machine à glaçons. Pour toute question au sujet de la pression de l'eau, faire appel à un plombier qualifié agréé.

REMARQUE : Si la pression en eau est inférieure aux critères minimaux, le débit du distributeur d'eau pourrait diminuer ou entraîner la formation de glaçons creux ou de forme irrégulière. Pour toute question au sujet de la pression de l'eau, faire appel à un plombier qualifié agréé.

Alimentation en eau par osmose inverse

IMPORTANT : La pression de l'alimentation en eau entre le système d'osmose inverse et le robinet d'arrivée d'eau du réfrigérateur doit être entre 30 lb/po² et 120 lb/po² (207 kPa à 827 kPa).

Si un système de filtration de l'eau par osmose inverse est raccordé à votre alimentation en eau froide de la, la pression de l'eau au système doit être d'un minimum de 40 lb/po² à 60 lb/po² (276 kPa à 414 kPa).

Si la pression d'eau au système de filtration par osmose inverse est inférieure à 40 lb/po² à 60 lb/po² (276 kPa à 414 kPa) :

- Vérifier que le filtre à sédiment dans le système à osmose inverse n'est pas obstrué. Remplacer le filtre si nécessaire.
- Laisser le réservoir du système d'osmose inverse se remplir après une utilisation intense.
- Si le réfrigérateur comporte un filtre à eau, celui-ci peut réduire la pression de l'eau lorsqu'il est utilisé avec un système d'osmose inverse. Enlever la cartouche de filtre à eau.

Pour toute question au sujet de la pression de l'eau, faire appel à un plombier qualifié agréé.

Préparation du circuit d'eau

Veillez lire avant d'utiliser le circuit d'eau. Suivre les instructions relatives au modèle de réfrigérateur utilisé.

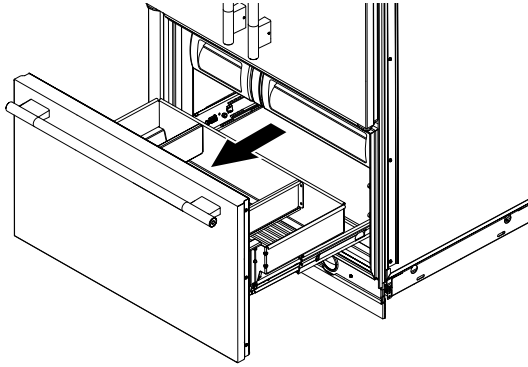
- Brancher sur une alimentation en eau potable uniquement.
- S'assurer que le robinet d'eau est ouvert avant d'appeler le service d'assistance.
- Ne pas utiliser ce produit pour filtrer une eau microbiologiquement polluée ou de qualité inconnue en l'absence d'un dispositif de désinfection adéquat en amont ou en aval du système. Les systèmes certifiés pour la réduction des kystes peuvent être utilisés pour une eau désinfectée susceptible de contenir des kystes filtrables.

REMARQUE :

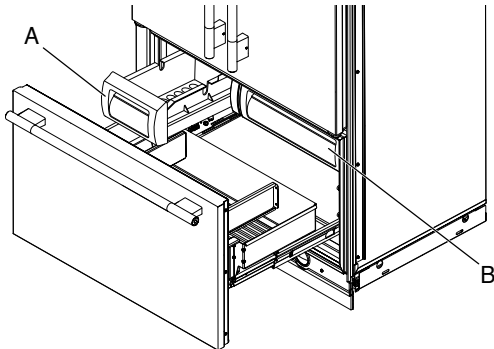
- Après avoir installé/remplacé le filtre à eau, attendre 24 h pour la première production de glace.
- Jeter le premier bac de glaçons produit.
- Le bac à glaçons se remplira complètement au bout de 3 jours environ, en fonction de la glace et de l'utilisation du congélateur.
- S'assurer que le filtre à la grille de la base est bien installé et que la capsule est à la position horizontale.

Pour activer ou désactiver la machine à glaçons :

1. Ouvrir le tiroir du congélateur.

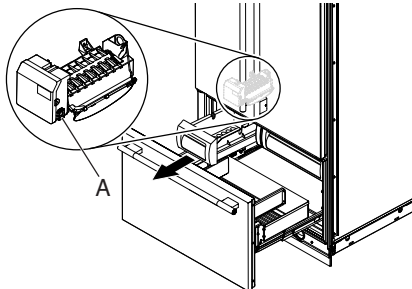


2. Faire glisser le bac à glaçons hors du tiroir du congélateur.



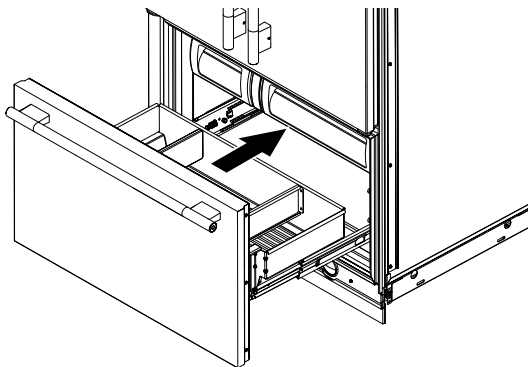
A. Bac à glaçons
B. Tiroir du congélateur

3. Utiliser l'interrupteur pour activer ou désactiver la machine à glaçons.



A. Interrupteur de la machine à glaçons

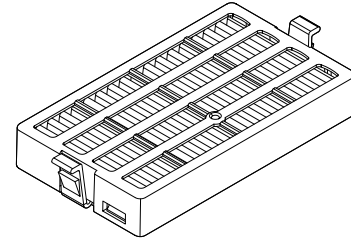
4. Replacer le bac à glaçons en le faisant glisser et fermer le tiroir du congélateur.



Filtre à odeur (filtre à air FreshFlow™)

Un filtre à air est 15 fois plus puissant que le bicarbonate de soude pour réduire les odeurs courantes d'aliments à l'intérieur du réfrigérateur.

Le sachet d'accessoires du réfrigérateur comprend un filtre à air FreshFlow™ qui doit être installé avant d'utiliser le réfrigérateur. Voir les instructions d'installation pour plus de renseignements.

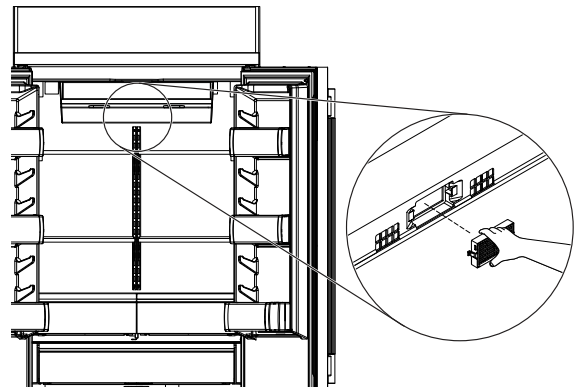


Ce filtre à odeurs réduit l'accumulation d'odeurs. Ceci aide à maintenir un environnement plus propre à l'intérieur du réfrigérateur.

Installation du filtre à odeurs

Le filtre à odeurs doit être installé derrière la porte à aérations, située (selon le modèle) le long de la paroi intérieure gauche ou arrière, à proximité du sommet du compartiment de réfrigération.

1. Retirer le filtre à odeurs de son emballage.
2. Le mettre en place.

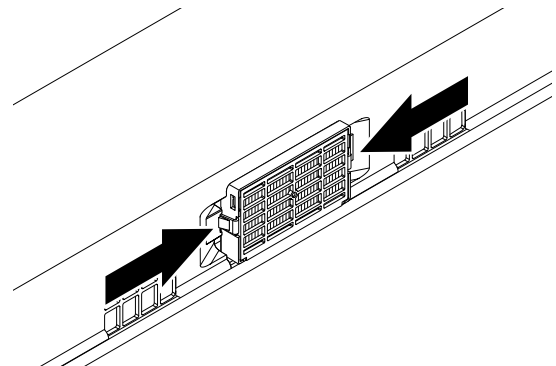


Remplacement du filtre à odeurs

Le filtre à odeurs jetable doit être remplacé tous les 6 mois, lorsque le témoin est entièrement passé du blanc au rouge.

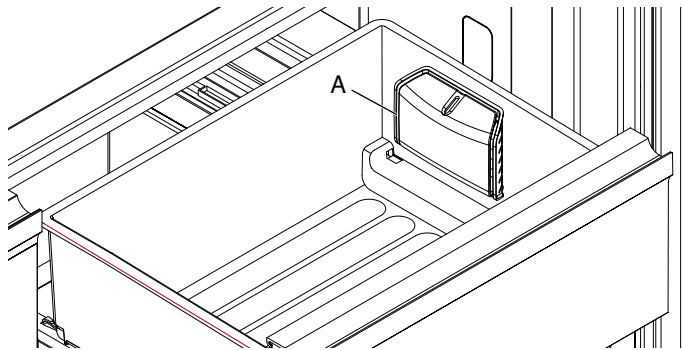
Pour remplacer le filtre à odeurs, commander la pièce de rechange **W10311524** en ligne.

- Retirer l'ancien filtre à odeurs en serrant les onglets latéraux.
- Installer un nouveau filtre à air en l'enclenchant en place.



Installation du conservateur pour produits frais

Le sachet de conservation pour produits frais absorbe l'éthylène, permettant ainsi un ralentissement du processus de maturation de nombreux produits frais. Ainsi, la fraîcheur de certains produits frais est prolongée.



A. Conservateur pour produits frais

La production d'éthylène et la sensibilité des produits à l'éthylène varient selon le type de fruit ou de légume. Pour préserver la fraîcheur des produits, il est conseillé de séparer les produits frais sensibles à l'éthylène des fruits qui en produisent en quantité modérée à élevée.

	Sensibilité à l'éthylène	Production d'éthylène
Pommes	Élevée	Très élevée
Asperges	Moyenne	Très basse
Petits fruits	Basse	Basse
Brocoli	Élevée	Très basse
Cantaloup	Moyenne	Élevée
Carottes	Basse	Très basse
Agrumes	Moyenne	Très basse
Raisin	Basse	Très basse
Laitue	Élevée	Très basse
Poires	Élevée	Très élevée
Épinards	Élevée	Très basse

Installation du conservateur pour produits frais

ATTENTION : IRRITANT

PEUT ÊTRE IRRITANT POUR LES YEUX ET LA PEAU. CE PRODUIT DÉGAGE DES VAPEURS DANGEREUSES LORSQUE MÉLANGÉ À D'AUTRES PRODUITS.

Ne pas mélanger à des produits de nettoyage contenant de l'ammoniaque, un agent de blanchiment ou des acides. Ne pas mettre en contact avec les yeux, la peau ou les vêtements. Ne pas inhaler les poussières. Conserver hors de portée des enfants.

PREMIERS SOINS : Contient du permanganate de potassium. En cas d'ingestion, appeler immédiatement un centre antipoison ou un médecin. Ne pas faire vomir. S'il y a eu contact avec les yeux, rincer sous l'eau pendant 15 minutes. S'il y a eu contact avec la peau, rincer sous l'eau.

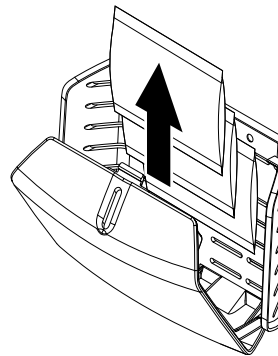
1. Laver l'intérieur de chaque tiroir à l'aide d'une solution de savon doux et d'eau tiède; sécher complètement.
2. Trouver l'emballage contenant le conservateur pour produits frais à l'intérieur du réfrigérateur puis installer le conservateur pour produits frais dans le tiroir selon les instructions fournies dans l'emballage.

Remplacer le sachet de conservation pour produits frais

Les sachets jetables doivent être remplacés tous les 6 mois ou lorsque le témoin est entièrement passé du blanc au rouge.

Pour commander des filtres de rechange, nous contacter. Voir les informations pour la commande en ligne du « Guide de démarrage rapide ».

1. Retirer les sachets usagés du logement du conservateur pour produits frais.



2. Retirer le témoin d'état usagé.
3. Installer les sachets et le témoin neufs en suivant les instructions incluses dans l'emballage.

UTILISATION DU RÉFRIGÉRATEUR

Utilisation des commandes

Les commandes de l'interface utilisateur (IU) sont situées au plafond du compartiment du réfrigérateur.



⚠ AVERTISSEMENT



Risque de décharge électrique

Brancher l'appareil sur une prise à 3 alvéoles reliée à la terre.

Ne pas enlever la prise de liaison à la terre.

Ne pas utiliser d'adaptateur.

Ne pas utiliser de rallonge.

Le non-respect de ces instructions peut causer un décès, un incendie ou une décharge électrique.

⚠ AVERTISSEMENT



Risque d'explosion

Garder les matières et les vapeurs inflammables, telles que l'essence, à l'écart de l'appareil.

Utiliser un produit de nettoyage ininflammable.

Le non-respect de ces instructions peut causer un décès, une explosion ou un incendie.

À titre de commodité, les commandes du réfrigérateur et du congélateur sont préréglées à l'usine.

Lors de l'installation initiale du réfrigérateur, s'assurer que les commandes sont encore préréglées aux points de réglage recommandés. Les points de réglage recommandés par l'usine sont 37 °F (3 °C) pour le réfrigérateur et 0 °F (-18 °C) pour le congélateur.

IMPORTANT :

- Attendre 24 heures avant d'ajouter des aliments dans le réfrigérateur. Si on ajoute des aliments avant que le réfrigérateur ne soit complètement refroidi, les aliments risquent de se gaspiller.

REMARQUE : Placer les points de réglage à un réglage plus froid que celui qui est recommandé ne refroidira pas les compartiments plus rapidement.

- Si la température est trop tiède ou trop froide dans le réfrigérateur ou le congélateur, vérifier d'abord les événements pour s'assurer qu'ils ne sont pas bloqués, avant de modifier le réglage des commandes.
- Les réglages recommandés devraient être bons pour une utilisation domestique normale. Les réglages sont faits correctement lorsque le lait ou le jus sont aussi froids que désiré et lorsque la crème glacée est ferme.

REMARQUE : Dans des zones comme un garage, un sous-sol ou un porche, la température peut être extrême ou le taux d'humidité supérieur à celui de votre domicile. Il peut s'avérer nécessaire de modifier la température à d'autres réglages que les réglages recommandés afin de s'adapter à ces conditions.

- Attendre au moins 24 heures entre chaque modification. Vérifier à nouveau les températures avant de procéder à d'autres modifications.

Marche/arrêt du refroidissement

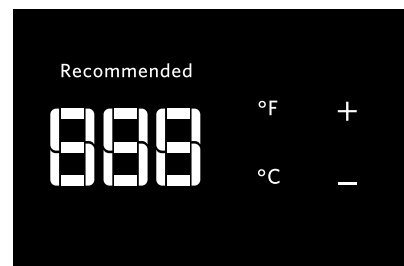
Ni le réfrigérateur ni le congélateur ne refroidiront lorsque le refroidissement est désactivé.

- Appuyer sur le bouton Cooling Off (arrêt du refroidissement) pendant 3 secondes.

L'écran affiche un compte à rebours et passe en mode de marche ou d'arrêt du refroidissement.

Température

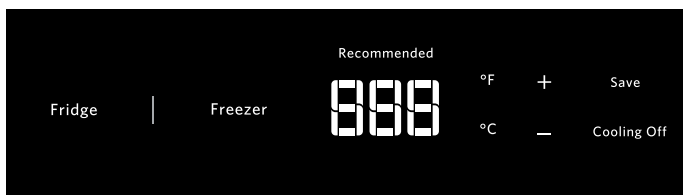
Affichage de la température en degrés Celsius



- Appuyer sur la touche C pour afficher les degrés en Celsius, appuyer sur la touche F pour afficher les degrés en Fahrenheit.

REMARQUE : Si la température du congélateur est inférieure à zéro, le signe négatif à côté de l'afficheur du congélateur s'allume. Ceci est normal.

Réglage de la température



Les instructions suivantes s'appliquent au bouton de température du réfrigérateur et au bouton de température du congélateur.

Appuyer une fois sur le bouton de température du congélateur ou du réfrigérateur pour afficher la température du compartiment.

Appuyer sur + ou - pour modifier la température. Appuyer sur Save (enregistrer) pour conserver cette température.

La température du réfrigérateur peut aller de 33 °F à 43 °F (1 °C à 6 °C), le réglage par défaut défini en usine est de 37 °F (3 °C).

La température du congélateur peut aller de -8 °F à 5 °F (-22 °C à -15 °C), le réglage par défaut défini en usine est de 0 °F (-18 °C).

CONDITION/RAISON	RÉGLAGE DE LA TEMPÉRATURE
RÉFRIGÉRATEUR trop froid	RÉFRIGÉRATEUR commande 1 °C ou 2 °F plus élevé
RÉFRIGÉRATEUR trop tiède	RÉFRIGÉRATEUR commande 1 °C ou 2 °F plus bas
CONGÉLATEUR trop froid	CONGÉLATEUR commande 1 °C ou 2 °F plus élevé
CONGÉLATEUR trop tiède/ trop peu de glaçons	CONGÉLATEUR commande 1 °C ou 2 °F plus bas

Témoin et réinitialisation du filtre à eau

Le témoin lumineux du filtre à eau, situé sur le panneau de commande, vous aidera à savoir quand changer le filtre à eau.

Un filtre à eau de rechange doit être commandé lorsque « Order » (commander) s'affiche. Il est recommandé de remplacer le filtre lorsque « Replace » (remplacer) s'affiche ou lorsque le débit d'eau à votre distributeur ou à la machine à glaçons diminue de façon marquée. Voir la section « Remplacement du filtre à eau » plus loin dans cette section.

Après le remplacement du filtre à eau, appuyer sur FILTER RESET (RÉINITIALISATION DU FILTRE) pendant 3 secondes jusqu'à ce que les témoins « Order Filter » (commander un filtre) ou « Replace filter » (remplacer le filtre) s'éteignent.

Réinitialiser l'état du filtre

Après avoir remplacé le filtre, appuyer sur le bouton Filter Reset (réinitialisation du filtre) pendant 3 secondes. L'écran affichera un compte à rebours 3, 2, 1, le témoin de filtre clignotera, puis reviendra à l'affichage d'origine.

Consulter la section « Système de filtration de l'eau » pour connaître les étapes de retrait et de remplacement du filtre.

Max Cool/Max Ice (refroidissement maximal/production maximale de glaçons)

Refroidissement maximal

La caractéristique Max Cool (refroidissement maximal) est utile lors de l'addition d'un grand nombre d'aliments, de l'élévation temporaire de la température de la pièce ou de périodes où les portes sont souvent ouvertes.

- Appuyer sur la touche OPTIONS, puis sur Max Cool (refroidissement maximal) pour activer cette caractéristique. La caractéristique de production de refroidissement maximal reste activée pendant 24 heures (à moins d'être annulée manuellement).

REMARQUE : L'affichage de température pour le compartiment de réfrigération continue d'indiquer le point de réglage sélectionné par l'utilisateur, mais la température réelle dans le compartiment de réfrigération baisse à 34 °F (1 °C) lorsque la caractéristique Max Cool (refroidissement maximal) est activée. Au bout de 24 heures, le réfrigérateur revient aux points de réglage de la température précédents.

Max Ice (production maximale de glaçons)

La fonction de production maximale de glaçons accélère la production de glaçons pour vous aider pendant les périodes de grande utilisation.

- Appuyer sur la touche OPTIONS, puis sur Max Ice (production maximale de glaçons) pour activer cette caractéristique. La caractéristique de production de glaçons maximale reste activée pendant 24 heures (à moins d'être annulée manuellement).

REMARQUE : L'affichage de température pour les compartiments de réfrigération et de congélation continue d'indiquer le point de réglage sélectionné par l'utilisateur, mais la température réelle dans le compartiment de congélation baisse à -5 °F (-21 °C) lorsque la caractéristique Max Ice (production de glaçons maximale) est activée. Au bout de 24 heures, le congélateur revient au point de réglage de température précédent.

- La modification de la température du réfrigérateur ou l'activation du mode Vacation (Vacances) désactivera la fonction Max Cool/Max Ice (Refroidissement maximal/ Production maximale de glaçons).

Mode Sabbath

- Appuyer sur le bouton Sabbath (Sabbat) pendant 3 secondes pour activer ou désactiver le mode Sabbath (Sabbat).

REMARQUE : Le réfrigérateur reste en mode Sabbath après une coupure de courant.

Fonctions d'alarme

Ouverture de la porte

Une alarme retentit si la porte reste ouverte pendant plus de 5 minutes. Lorsque l'on ferme la porte ou le tiroir, ou que l'on appuie sur n'importe quelle touche de l'écran d'accueil (Fridge [Réfrigérateur], Freezer [Congélateur] ou Options), la fonction de porte ouverte se réinitialise et l'alarme sonore s'éteint.

REMARQUE : Si la porte ou le tiroir est laissé ouvert pendant 10 minutes, les lumières intérieures s'éteignent. Fermer la porte ou le tiroir ouvert réinitialisera les lumières.

Panne de courant

Lorsqu'une panne de courant se produit, le témoin Power Outage (Panne de courant) s'affiche. Appuyer sur n'importe quelle touche de l'écran d'accueil (Fridge [Réfrigérateur], Freezer [Congélateur] ou Options) pour éteindre le témoin lumineux. L'indicateur de panne de courant ne s'affiche pas lorsque Cooling Off (Refroidissement désactivé) ou le mode Sabbath (Sabbat) est activé, mais il s'affiche lorsque l'on sort du mode Sabbath après une panne de courant.

Dépassement de la température

IMPORTANT : Si l'alarme de température excessive s'active, les aliments peuvent se gâter. Voir la section « Pannes de courant ». Minimiser les ouvertures de porte jusqu'à ce que les températures reviennent à la normale.

La fonction de dépassement de température est conçue pour laisser savoir lorsque la température du réfrigérateur monte au-dessus de 9 °C (48 °F) ou lorsque la température du congélateur monte au-dessus de -9 °C (15 °F) pendant 1 heure et demie ou plus. L'alarme sonore s'éteindra automatiquement lorsque la température retournera à la normale, mais le témoin lumineux continue de clignoter pour indiquer qu'un dépassement de la température s'est produit jusqu'à ce que la réinitialisation de l'erreur de température trop élevée ait été effectuée. Appuyer sur n'importe quelle touche de l'écran d'accueil (Fridge [Réfrigérateur], Freezer [Congélateur] ou Options) pour éteindre le témoin lumineux.

Si le dépassement de température persiste après un réarmement de l'alarme de dépassement de température, le témoin lumineux continue de se réactiver toutes les heures et demie jusqu'à ce que les températures du réfrigérateur et du congélateur descendent sous 9 °C (48 °F) et -9 °C (15 °F), respectivement.

Divers

Showroom Mode (Mode d'exposition)

Le mode de démonstration est conçu pour le plancher de vente. Maintenir les boutons Fridge (Réfrigérateur) et Freezer (Congélateur) enfoncés pendant 5 secondes, le témoin de mode de démonstration clignotera deux fois et restera activé/désactivé.

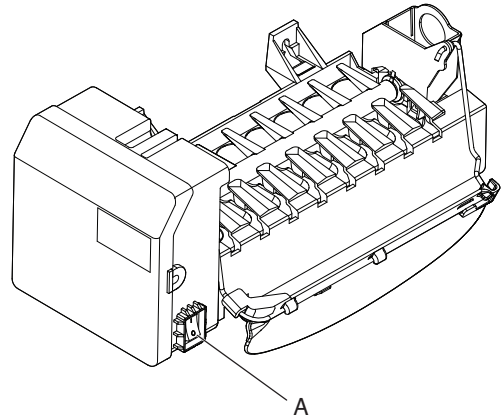
Machine à glaçons et bac d'entreposage

IMPORTANT : Purger le système d'approvisionnement en eau avant de mettre en marche la machine à glaçons. Voir la section « Distributeurs d'eau et de glaçons ». Prévoir un délai de 24 heures pour la production du premier lot de glaçons. Jeter les trois premiers lots de glaçons produits. Prévoir un délai de 3 jours pour le remplissage complet du bac à glaçons.

Mise en marche/arrêt de la machine à glaçons

REMARQUE : La machine à glaçons est munie d'une fonction d'arrêt automatique. Ne pas forcer le commutateur du bras en broche vers le haut ou vers le bas.

1. Utiliser l'interrupteur pour activer ou désactiver la machine à glaçons.



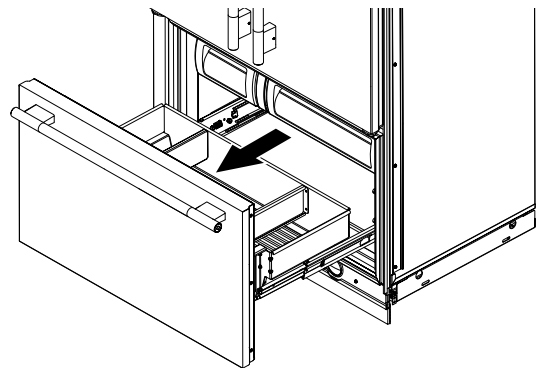
A. Interrupteur de la machine à glaçons

Nettoyage du bac d'entreposage à glaçons

REMARQUE : Il est normal que les glaçons soient agglomérés dans le bac à glaçons. Si l'on distribue ou utilise des glaçons plus fréquemment, ils se sépareront. Il est conseillé de vider et de nettoyer le bac à glaçons aussi souvent que nécessaire.

Nettoyage du bac d'entreposage à glaçons :

1. Faire glisser le bac à glaçons, puis le soulever pour le sortir du congélateur.



2. Vider le bac à glaçons. Utiliser de l'eau tiède pour faire fondre la glace si nécessaire.

REMARQUE : Ne pas utiliser d'objet pointu pour briser les glaçons dans le bac. Ceci peut endommager le bac d'entreposage et le mécanisme de la machine à glaçons.

3. Laver le bac à glaçons à l'aide d'eau tiède et de détergent doux, puis bien rincer et sécher à fond. Ne pas utiliser de nettoyants forts ou abrasifs ni de dissolvants.

Ne pas oublier

- Prévoir un délai de 24 heures pour la production du premier lot de glaçons. Prévoir un délai de 3 jours pour le remplissage complet du récipient à glaçons.
- Jeter les trois premières quantités de glaçons produites pour éviter les impuretés qui peuvent être expulsées du système.
- La qualité des glaçons dépend de la qualité de l'eau fournie à la machine à glaçons.
- Éviter de connecter la machine à glaçons à une alimentation en eau adoucie.
- Les produits chimiques adoucisseurs d'eau (comme le sel) peuvent endommager certaines pièces de la machine à glaçons et entraîner une mauvaise qualité de glaçons. Si l'alimentation en eau adoucie ne peut être évitée, s'assurer que l'adoucisseur d'eau fonctionne bien et qu'il est bien entretenu.
- Il est normal pour les glaçons de coller ensemble aux coins. Ils se sépareront facilement.
- Ne pas entreposer quoi que ce soit sur le dessus de la machine à glaçons ou dans le bac à glaçons.

Système de filtration de l'eau

Ne pas utiliser ce produit pour filtrer une eau microbiologiquement polluée ou de qualité inconnue en l'absence d'un dispositif de désinfection adéquat en amont ou en aval du système. Les systèmes certifiés pour la réduction des kystes peuvent être utilisés pour une eau désinfectée susceptible de contenir des kystes filtrables.

Témoin d'état du filtre à eau

Le témoin lumineux du filtre à eau, situé sur le panneau de commande, vous aidera à savoir quand changer le filtre à eau.

État de remplacement :

- Remplacer la cartouche du filtre à eau lorsque l'affichage de l'état du filtre passe à « Replace » (remplacer).

État de remplacement en retard :

- Lorsque le témoin du filtre à eau sur le tableau de commande devient rouge, ceci indique qu'il est temps de changer la cartouche du filtre à eau.
- Il est recommandé de remplacer le filtre lorsque le témoin lumineux de l'état du filtre passe au rouge ou lorsque le débit d'eau au distributeur ou à la machine à glaçons diminue de façon marquée.

REMARQUE : Si le débit d'eau au distributeur d'eau ou à la machine à glaçons diminue de façon marquée, remplacer le filtre plus tôt. Le filtre doit être remplacé au moins tous les 6 mois selon la qualité de l'eau et l'utilisation.

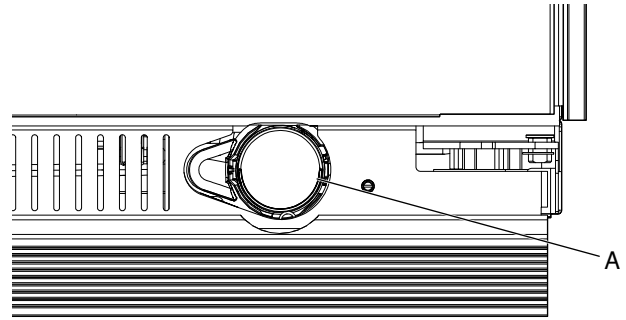
Pendant la distribution d'eau une fois que l'icône de remplacement du filtre est activée, cette dernière clignotera pendant la durée de la distribution. Cette situation s'applique pour l'état de remplacement du filtre et l'état de remplacement en retard. Quatorze jours après l'activation du témoin de remplacement du filtre, le témoin passe en mode « remplacement en retard ».

Réinitialiser l'état du filtre

Après avoir remplacé le filtre, appuyer sur le bouton Filter Reset (réinitialisation du filtre) pendant 3 secondes. Le bouton ne s'affiche plus après la réinitialisation.

Remplacement du filtre à eau

Le filtre à eau : est situé dans la grille de la base, sous la porte du compartiment du congélateur. Il n'est pas nécessaire de retirer la grille de la base pour retirer le filtre.

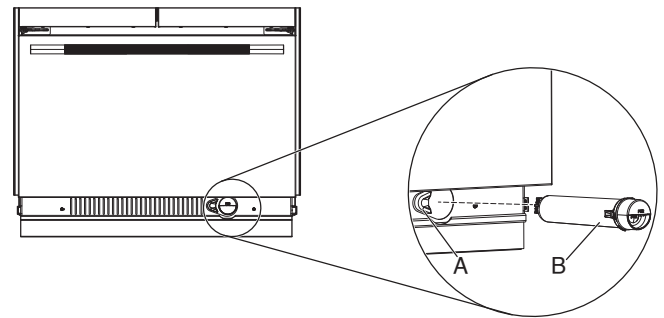


A. Filtre à eau

1. Retirer le filtre en poussant sur le bouton d'éjection et en tirant sur le bouchon du filtre en ligne droite.

REMARQUE :

- Éviter de tourner le bouchon pendant l'extraction du filtre pour éviter les risques qu'il s'enlève. Si cela se produit, replacer le bouchon et tirer sur le filtre en ligne droite.
- Il y aura de l'eau dans le filtre. Il est possible qu'il y ait un dégât d'eau.

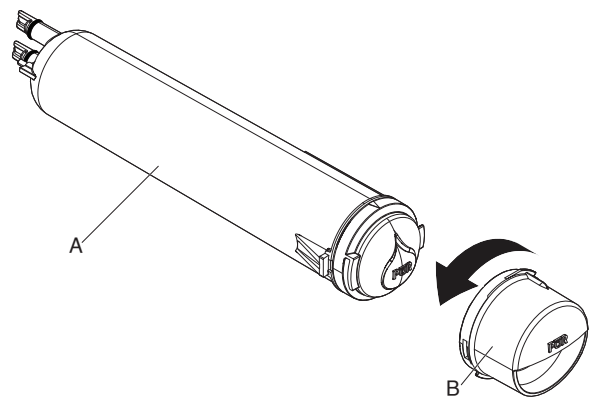


A. Bouton d'éjection

B. Filtre à eau

2. Enlever le bouchon en la dévissant dans le sens antihoraire jusqu'à ce qu'il ne soit plus possible de le tourner.

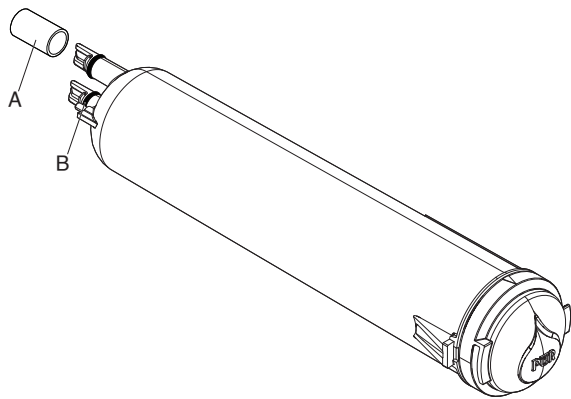
IMPORTANT : Ne pas jeter le couvercle. Il fait partie de votre réfrigérateur. Conserver le couvercle pour l'utiliser avec le filtre de rechange.



A. Filtre à eau

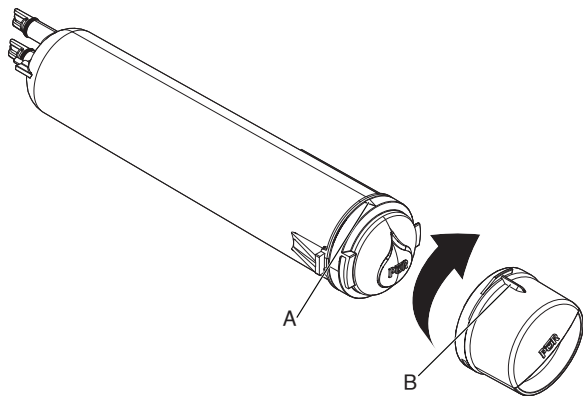
B. Bouchon

- Aligner l'arête du bouchon avec la flèche du nouveau filtre, puis tourner le bouchon jusqu'à ce qu'il s'enclenche en place.



A. Couverture
B. Joints toriques

- Enlever les bouchons des joints toriques. S'assurer que les anneaux d'étanchéité sont toujours en place une fois que les couvercles sont retirés.
- Placer le bouchon (retiré à l'étape 2) sur le nouveau filtre. Aligner l'arête du bouchon avec la flèche du filtre. Tourner le bouchon dans le sens horaire jusqu'à ce qu'il s'emboîte.



A. Flèche sur le filtre
B. Arrête sur le bouchon

- Enfoncer le nouveau filtre dans l'ouverture de la grille de la base. À mesure de l'insertion du filtre, le bouton d'éjection s'enfonce. Le bouton d'éjection ressortira lorsque le filtre sera complètement engagé.
- Tirer doucement sur le bouchon pour vérifier que le filtre est bien en place.
- Rincer le système de distribution d'eau. Selon le modèle, voir la section « Distributeurs d'eau et de glaçons » ou « Machine à glaçons et bac d'entreposage ».

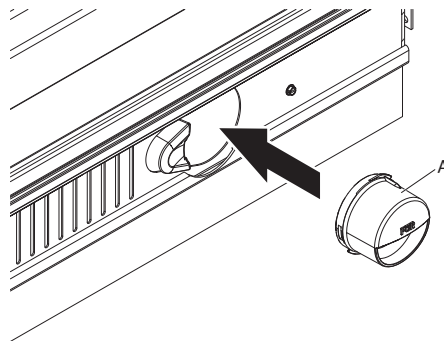
Utilisation de la machine à glaçons sans un filtre à eau

Il est possible d'utiliser la machine à glaçons sans utiliser un filtre à eau. Vos glaçons ne seront pas filtrés.

- Retirer le filtre en poussant sur le bouton d'éjection et en tirant sur le bouchon. Voir la section « Remplacement du filtre à eau » située plus haut dans cette section.
- Enlever le bouchon en la dévissant dans le sens antihoraire jusqu'à ce qu'il ne soit plus possible de le tourner.

IMPORTANT : Ne pas jeter le couvercle. Il fait partie de votre réfrigérateur.

- Avec le couvercle en position horizontale, insérer le bouchon dans la grille de la base jusqu'à ce qu'il s'arrête.



A. Bouchon

- Tourner le bouchon dans le sens antihoraire jusqu'à ce que le bouchon glisse dans la fente de fixation. Tourner ensuite le bouchon dans le sens horaire jusqu'à ce qu'il soit en position horizontale.

REMARQUE : Le bouchon ne sera pas au même niveau que la grille de la base.

CARACTÉRISTIQUES DU RÉFRIGÉRATEUR

Tablettes du réfrigérateur

Informations importantes à propos des tablettes et des couvercles en verre :

Ne pas nettoyer les tablettes ou les couvercles de verre avec de l'eau tiède lorsqu'ils sont froids. Les tablettes et couvercles peuvent se briser s'ils sont exposés à un changement de températures ou impact soudain, tel qu'une chute. Le verre trempé est conçu pour se briser en de multiples petits morceaux de la taille de gravillons. Ceci est normal. Les tablettes en verre et les couvercles sont lourds. Employer les deux mains lorsqu'on les retire afin d'éviter de les faire tomber.

Les tablettes de réfrigérateur sont réglables pour s'adapter aux besoins de rangement de l'utilisateur.

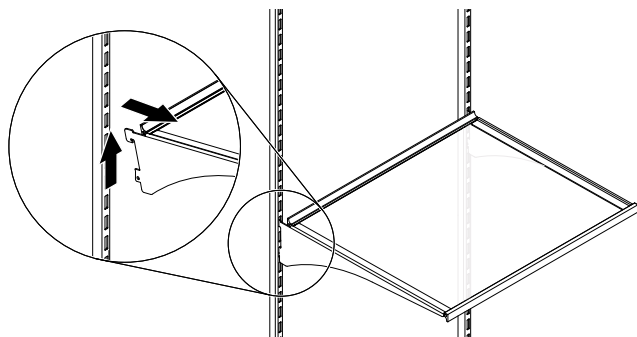
Afin de pouvoir trouver plus facilement l'article recherché, on peut remiser ensemble des aliments semblables dans le réfrigérateur et ajuster les tablettes pour les adapter aux différentes tailles d'articles. Ceci réduira également la durée d'ouverture de la porte du réfrigérateur et permettra d'économiser de l'énergie.

Tablettes et cadres de tablettes

Pour retirer et réinstaller une tablette/un cadre :

- Enlever la tablette/le cadre en l'inclinant vers le haut à l'avant et en la/le soulevant hors des supports de tablette. Retirer la tablette tout droit vers l'extérieur.
- Replacer la tablette/le cadre en dirigeant les crochets arrière de la tablette dans les supports de tablette. Incliner l'avant de la tablette vers le haut jusqu'à ce que les crochets arrière de la tablette se placent dans les supports de tablette.

3. Abaisser l'avant de la tablette et vérifier que la tablette est bien en position.



Guide d'entreposage des viandes

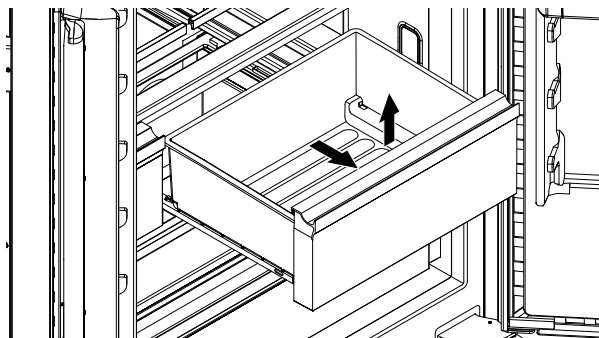
Garder la plus grande partie des viandes dans leur emballage d'origine pourvu qu'il soit hermétique et à l'épreuve de l'humidité. Emballer de nouveau si nécessaire. Voir le tableau suivant pour les durées d'entreposage. Lorsque la viande doit être entreposée plus longtemps que les durées indiquées, congeler la viande.

Poisson frais ou crustacés.....	à consommer le jour même de l'achat
Poulet, bœuf haché, abats comestibles (foie).....	1 à 2 jours
Charcuteries, steaks/rôtis.....	3 à 5 jours
Viandes salaisonées.....	7 à 10 jours
Restes – Couvrir les restes avec une pellicule en plastique ou du papier d'aluminium ou utiliser des contenants en plastique avec couvercles hermétiques.	

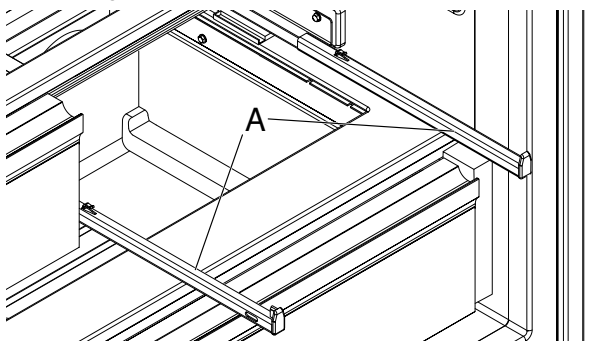
TIROIRS POUR SPÉCIALITÉS ALIMENTAIRES/À LÉGUMES

Retrait et réinstallation des tiroirs pour spécialités alimentaires/à légumes :

1. Faire glisser le tiroir pour spécialités alimentaires/à légumes en ligne droite jusqu'à la butée. Soulever l'avant du bac d'une main tout en soutenant la partie inférieure du bac de l'autre main. Retirer complètement le bac en le faisant glisser.

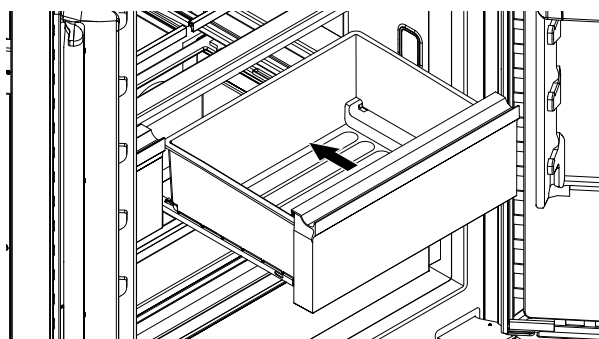


2. Pour réinstaller le tiroir pour spécialités alimentaires/à légumes, tirer complètement les glissières du tiroir et placer le tiroir sur les glissières.



A. Glissières de tiroir

3. Enfoncer le bac jusqu'à ce qu'il se trouve en position de fermeture.



4. Ouvrir de nouveau le tiroir pour spécialités alimentaires/à légumes pour vérifier qu'il a été réinstallé correctement.

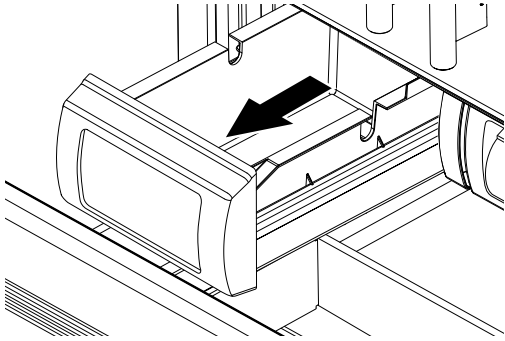
CARACTÉRISTIQUES DU CONGÉLATEUR

Tiroir de congélateur et bac à glaçons coulissant

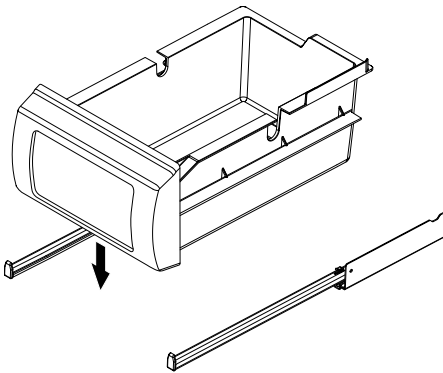
Le tiroir du congélateur peut être utilisé pour conserver des articles de petite taille. Le tiroir de congélateur n'est pas escamotable.

Pour retirer et réinstaller le bac à glaçons :

1. Faire glisser le bac à glaçons, puis le soulever pour le sortir du congélateur.



2. Pour réinstaller le bac à glaçons, tirer complètement les glissières du tiroir et placer le bac sur les glissières. Enfoncer le bac jusqu'à ce qu'il se trouve en position de fermeture.



3. Ouvrir de nouveau le bac à glaçons pour vérifier qu'il a été réinstallé correctement.

Guide de stockage des aliments surgelés

Les périodes de conservation varient selon la qualité et le type d'aliment, le type d'emballage et de pellicule utilisés (doivent être hermétiques et résistants à l'humidité) et la température de remisage. Les cristaux de glace à l'intérieur d'un emballage scellé sont normaux. La présence de cristaux signifie simplement que l'humidité dans les aliments et l'air à l'intérieur de l'emballage se sont condensés.

Ne pas placer plus d'aliments non congelés dans le congélateur que la quantité qui congèlera dans l'intervalle de 24 heures (pas plus de 2 à 3 lb d'aliments par pied cube d'espace [907 g à 1 350 g pour 28 L] dans le congélateur). Laisser assez d'espace dans le congélateur pour permettre la circulation d'air entre les emballages. S'assurer de laisser assez d'espace pour que la porte ferme hermétiquement.

Pour plus de renseignements au sujet de la préparation des aliments pour la congélation, consulter un guide pour congélateur ou un livre de recettes fiable.

CARACTÉRISTIQUES DE LA PORTE

Balconnets de porte

Les grands balconnets de porte peuvent contenir des contenants de un gallon et les balconnets plus petits peuvent contenir des bouteilles de 2 L. Les balconnets de porte sont réglables et amovibles; ils peuvent donc être nettoyés et réglés facilement.

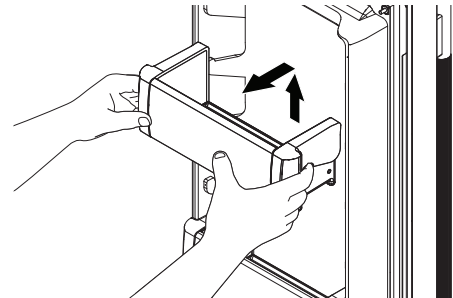
Compartiment pour petits articles

REMARQUE : Le compartiment doit être bien positionné dans la partie supérieure de la porte pour éviter que des articles ne tombent pendant l'ouverture ou la fermeture de la porte.

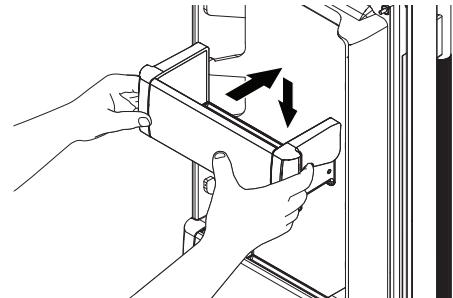
1. Installer le compartiment pour petits articles dans la partie supérieure de la porte et appuyer vers le bas pour verrouiller en place.

Pour retirer et réinstaller les compartiments pour petits articles :

1. Retirer le balconnet en le soulevant vers le haut et en tirant pour le sortir.



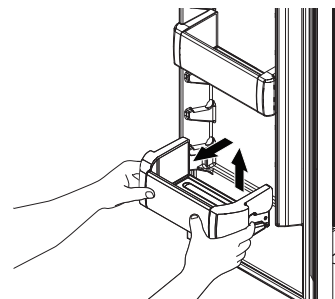
2. Réinstaller le balconnet en le faisant glisser au-dessus du support désiré et en l'enfonçant jusqu'à la butée.



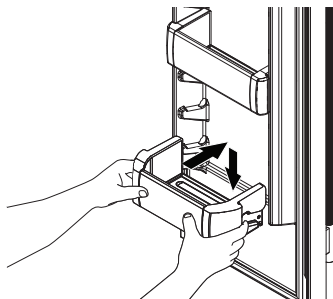
Compartiments peu profonds

Retrait et réinstallation des compartiments peu profonds :

1. Retirer le balconnet en le soulevant vers le haut et en tirant pour le sortir.



2. Réinstaller le balconnet en le faisant glisser au-dessus du support désiré et en l'enfonçant jusqu'à la butée.



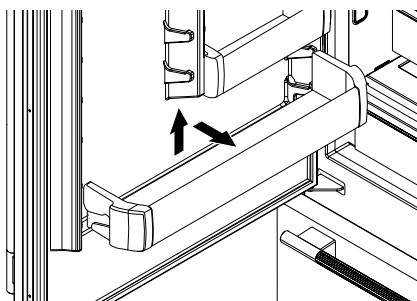
Compartiment de porte pour contenant de un gallon

REMARQUE : Le compartiment ne peut être placé que dans le support inférieur de la porte.

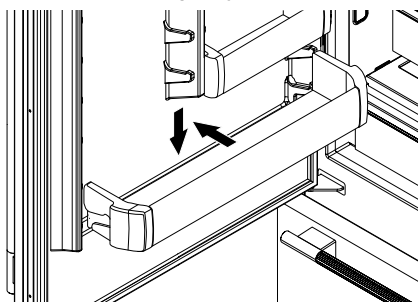
1. Installer le compartiment au-dessus du support inférieur de la porte et pousser vers le bas pour fixer sa place.

Retrait et réinstallation du compartiment de porte pour contenant de un gallon :

1. Retirer le balconnet en le soulevant vers le haut et en tirant pour le sortir.



2. Réinstaller le balconnet en le faisant glisser au-dessus du support désiré et en l'enfonçant jusqu'à la butée.



ENTRETIEN ET RÉPARATION

Nettoyage

⚠ AVERTISSEMENT



Risque d'explosion

Risque d'incendie ou d'explosion.

Fluide frigorigène inflammable utilisé.

Ne pas utiliser d'appareils mécaniques pour dégivrer le réfrigérateur.

Ne pas perforer la tubulure de réfrigération.

Les sections de réfrigération et de congélation se dégivrent automatiquement. Nettoyer toutefois les deux compartiments environ une fois par mois afin d'éviter une accumulation d'odeurs. Essuyer immédiatement les renversements.

Nettoyage du réfrigérateur :

1. Retirer la grille supérieure. Voir la section « Interrupteur d'alimentation marche/arrêt ».
2. Appuyer sur l'interrupteur d'alimentation pour le mettre en position d'arrêt.
3. Retirer toutes les pièces amovibles de l'intérieur comme les tablettes, les tiroirs FreshChill (Rafraîchissement), etc.
4. Laver à la main, rincer et sécher les pièces amovibles et les surfaces internes soigneusement. Utiliser une éponge propre ou un linge doux et un détergent doux dans de l'eau tiède.
 - Ne pas utiliser de nettoyants puissants ou abrasifs tels que les nettoyants à vitre en atomiseurs, nettoyants à récurer, liquides inflammables, cires nettoyantes, détergents concentrés, agents de blanchiment ou nettoyants contenant du pétrole sur les pièces en plastique, les garnitures intérieures et garnitures de portes ou sur les joints de portes. Ne pas utiliser d'essuie-tout, de tampons à récurer ou un autre outil de nettoyage abrasif. Ces produits risquent d'égratigner ou d'endommager les matériaux.
 - Pour aider à éliminer les odeurs, on peut laver les parois intérieures avec un mélange d'eau tiède et de bicarbonate de soude (2 c. à soupe pour 1 pte [26 g pour 0,95 L] d'eau).
5. Laver les surfaces extérieures en acier inoxydable et surfaces extérieures peintes avec une éponge propre ou un linge doux et un détergent doux dans de l'eau tiède. Ne pas utiliser de produits de nettoyage forts ou abrasifs ni de nettoyants à base de chlore. Sécher soigneusement au moyen d'un chiffon doux.

REMARQUE : Pour que votre réfrigérateur en acier inoxydable conserve son aspect neuf et pour enlever les petites égratignures ou marques, il est suggéré d'utiliser le nettoyant et poli pour acier inoxydable approuvé par le fabricant.

IMPORTANT : Ce nettoyant doit être utilisé sur les pièces en acier inoxydable uniquement.

Veiller à ce que le nettoyant et poli pour acier inoxydable n'entre pas en contact avec les pièces de plastique comme les garnitures, couvercles de distributeurs ou joints de porte. En cas de contact non intentionnel, nettoyer la pièce de plastique avec une éponge et un détergent doux dans de l'eau tiède. Sécher soigneusement au moyen d'un chiffon doux. Pour commander le nettoyant, voir la section « Accessoires ».

- Appuyer sur l'interrupteur d'alimentation pour le mettre en position de marche.
- Réinstaller la grille du haut. Voir la section « Interrupteur d'alimentation marche/arrêt ».

Nettoyage du condensateur

⚠ AVERTISSEMENT



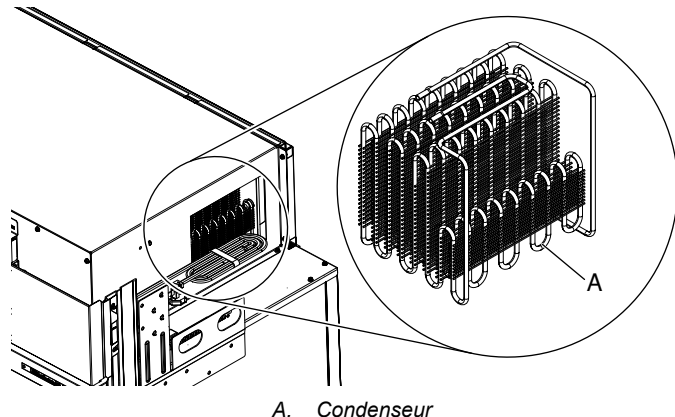
Risque d'explosion

Risque d'incendie ou d'explosion causé par la perforation de la tubulure de réfrigération;

suivre avec attention les instructions de manipulation.

Fluide frigorigène inflammable utilisé.

Le condensateur n'a pas besoin d'être nettoyé souvent dans des conditions de fonctionnement domestique normales. Si l'environnement est particulièrement gras, poussiéreux ou s'il y a des animaux domestiques dans la maison, le condensateur devrait être nettoyé tous les 6 mois pour assurer une efficacité maximum.



- Débrancher le réfrigérateur ou déconnecter la source de courant électrique.
- Retirer la grille supérieure.
- Utiliser un aspirateur à brosse douce pour nettoyer la grille, les endroits ouverts derrière la grille et la surface à l'avant du condensateur.
- Replacer la grille de la base après avoir terminé.
- Brancher le réfrigérateur ou reconnecter la source de courant électrique.

REMARQUE : Communiquer avec le service s'il est impossible de nettoyer le condensateur.

Remplacer le module à DEL

IMPORTANT : Les lampes des compartiments de réfrigération et de congélation utilisent la technologie DEL. Si les lampes ne s'allument pas lorsqu'on ouvre la porte, appeler les numéros fournis pour obtenir de l'aide ou un dépannage. Consulter le « Guide de démarrage rapide » pour les coordonnées. Si un module à DEL ne s'allume pas lorsque la porte du réfrigérateur ou du congélateur est ouverte, communiquez avec nous pour obtenir de l'aide ou un entretien.

Pannes de courant

Si le courant doit être interrompu pendant une durée inférieure ou égale à 24 heures, garder la ou les portes fermées (selon votre modèle) pour permettre aux aliments de rester froids et congelés.

Si l'alimentation électrique doit être interrompue pendant plus de 24 heures, faire l'une des choses suivantes :

- Retirer tous les aliments congelés et les entreposer dans un entrepôt frigorifique.
- Placer 2 lb (907 g) de glace sèche dans le congélateur pour chaque pied cube (28 L) d'espace de congélation. Ceci permettra de garder les aliments congelés durant 2 à 4 jours.
- Si l'on ne dispose ni d'un entrepôt frigorifique, ni de glace carbonique, consommer les aliments périssables ou les mettre en conserve immédiatement.

IMPORTANT : Un congélateur plein restera froid plus longtemps qu'un congélateur partiellement rempli. Un congélateur plein de viande demeure froid plus longtemps qu'un congélateur rempli de pains et de pâtisseries. Si les aliments contiennent des cristaux de glace, ils peuvent être remis à congeler, toutefois la qualité et la saveur risquent d'en être affectées. Si les aliments semblent de piètre qualité, les jeter.

Entretien avant les vacances

Si l'utilisateur choisit d'arrêter le réfrigérateur avant son absence :

- Enlever tous les aliments du réfrigérateur.
- Si le réfrigérateur est équipé d'une machine à glaçons automatique :
 - Fermer l'approvisionnement en eau de la machine à glaçons au moins un jour à l'avance.
 - Lorsque la dernière quantité de glaçons est déposée, soulever le bras de commande d'arrêt métallique à la position Off (Arrêt) (position haute) ou placer le commutateur sur Off (Arrêt), selon le modèle.
- Sous le menu du réfrigérateur ou du congélateur, maintenir enfoncée la touche Cooling Off (désactivation du refroidissement) pendant 3 secondes pour désactiver le refroidissement.

REMARQUE : Pour éteindre complètement l'alimentation, utiliser le bouton On/Off (Marche/Arrêt) situé derrière la grille supérieure. Voir la section « Interrupteur d'alimentation marche/arrêt ».
- Nettoyer le réfrigérateur, l'essuyer et bien le sécher.
- À l'aide d'un ruban adhésif, placer des blocs de caoutchouc ou de bois dans la partie supérieure de chaque porte de façon à ce qu'elles soient suffisamment ouvertes pour permettre à l'air d'entrer et d'éviter l'accumulation d'odeur ou de moisissure.

Lors de l'arrivée au nouveau domicile, remettre tout en place et consulter la section « Instructions d'installation » pour les instructions de préparation. Aussi, si le réfrigérateur comporte une machine à glaçons automatique, ne pas oublier de rebrancher l'approvisionnement en eau au réfrigérateur.

DÉPANNAGE

Fonctionnement du réfrigérateur

Essayer d'abord les solutions suggérées ici pour éviter une intervention de dépannage. Pour obtenir une assistance supplémentaire, voir les coordonnées figurant dans le « Guide de démarrage rapide ».

Le réfrigérateur ne fonctionne pas

AVERTISSEMENT



Risque de décharge électrique

Brancher l'appareil sur une prise à 3 alvéoles reliée à la terre.

Ne pas enlever la prise de liaison à la terre.

Ne pas utiliser d'adaptateur.

Ne pas utiliser de rallonge.

Le non-respect de ces instructions peut causer un décès, un incendie ou une décharge électrique.

- **Le cordon d'alimentation électrique est-il débranché?** Brancher sur une prise à 3 alvéoles reliée à la terre.
- **La prise électrique fonctionne-t-elle?** Brancher une lampe pour voir si la prise fonctionne.
- **Un fusible du domicile est-il grillé ou un disjoncteur s'est-il ouvert?** Remplacer le fusible ou réenclencher le disjoncteur. Si le problème persiste, appeler un électricien.
- **Les commandes sont-elles activées?** S'assurer que les commandes du réfrigérateur sont sur On (marche). Voir la section « Utilisation des commandes ».
- **Le réfrigérateur est-il en train de se dégivrer?** Votre réfrigérateur fera fonctionner un programme de dégivrage automatique. Révérifier après 45 minutes pour voir s'il fonctionne.
- **S'agit-il d'une nouvelle installation?** Accorder 24 heures après l'installation pour que le réfrigérateur se refroidisse complètement.

REMARQUE : Le fait de placer les commandes de température sur le réglage le plus froid ne refroidira pas le compartiment plus rapidement.

Le moteur semble fonctionner excessivement

Il se peut que ce nouveau réfrigérateur fonctionne plus longtemps que l'ancien en raison du compresseur et des ventilateurs à haute efficacité. L'appareil peut fonctionner plus longtemps encore si la température de la pièce est élevée, si une grande quantité de nourriture a été ajoutée, si les portes sont fréquemment ouvertes ou si elles ont été laissées ouvertes.

Si le réfrigérateur est bruyant

Le bruit émis par les réfrigérateurs a été réduit au cours des années. Du fait de cette réduction, il est possible d'entendre des bruits intermittents provenant du nouveau réfrigérateur qui n'avaient pas été décelés avec l'ancien modèle. Voici une liste des sons normaux accompagnés d'une explication.

- **Bourdonnement** – Se fait entendre lorsque le robinet d'eau s'ouvre pour remplir la machine à glaçons.
- **Pulsation** – les ventilateurs/le compresseur se règlent afin d'optimiser la performance.
- **Cliquetis** – Écoulement de liquide réfrigérant, mouvement des conduites d'eau ou d'objets posés sur le dessus du réfrigérateur.
- **Grésillement/gargouillement** – de l'eau tombe sur l'élément de chauffage durant le programme de dégivrage.
- **Bruit d'éclatement** – contraction/expansion des parois internes, particulièrement lors du refroidissement initial.
- **Bruit d'écoulement d'eau** – Peut être entendu lorsque la glace fond lors du programme de dégivrage et que l'eau s'écoule dans le plateau de dégivrage.
- **Grincement/craquement** – Se produit lorsque la glace est éjectée du moule à glaçons.
- **Bruit de claquement pendant le fonctionnement de la machine à glaçons ou de la distribution d'eau** – Vérifier s'il est nécessaire d'installer un dispositif de protection contre les coups de bélier. Consulter la section « Spécifications de l'alimentation en eau » pour obtenir plus d'informations.

Aucune alarme sonore de porte ouverte ne retentit

La porte a-t-elle été ouverte moins de 10 minutes?

L'alarme de porte ouverte ne clignote que si la porte est restée ouverte pendant plus de 10 minutes. L'alarme sonore retentit la première fois que la porte reste ouverte pendant plus de 10 minutes. Les alarmes de porte ouverte subséquentes se feront toutes sous forme de clignotement. L'alarme sonore doit être réinitialisée chaque fois. Voir la section « Utilisation des commandes ».

La porte ne ferme pas complètement

- **La porte est-elle bloquée en position ouverte?** Déplacer les emballages d'aliments pour libérer la porte.
- **Un compartiment ou une tablette bloquent-ils le passage?** Replacer le compartiment ou la tablette en position correcte.

Les portes sont difficiles à ouvrir

AVERTISSEMENT



Risque d'explosion

Garder les matières et les vapeurs inflammables, telles que l'essence, à l'écart de l'appareil.

Utiliser un produit de nettoyage ininflammable.

Le non-respect de ces instructions peut causer un décès, une explosion ou un incendie.

Les joints sont-ils collants ou sales? Nettoyer les joints au savon doux et à l'eau tiède.

L'éclairage ne fonctionne pas

Le réfrigérateur est-il en mode Sabbath (Sabbat)? Voir la section « Utilisation des commandes ».

La porte a-t-elle été ouverte plus de 10 minutes? Voir la section « Utilisation des commandes ».

Température et humidité

La température est trop élevée

- **S'agit-il d'une nouvelle installation?** Accorder 24 heures après l'installation pour que le réfrigérateur se refroidisse complètement.
- **Les portes sont-elles souvent ouvertes ou laissées ouvertes?** Ceci permet à l'air chaud de pénétrer dans le réfrigérateur. Réduire les ouvertures de porte et garder la porte complètement fermée.
- **A-t-on ajouté une grande quantité d'aliments?** Attendre quelques heures pour permettre au réfrigérateur de revenir à une température normale.
- **Les réglages sont-ils corrects pour les conditions existantes?** Régler les commandes à un degré plus froid. Vérifier la température au bout de 24 heures. Voir la section « Utilisation des commandes ».
- **Le réfrigérateur ne refroidit pas.** Sur les modèles à commandes numériques, éteindre le réfrigérateur puis le rallumer pour le réinitialiser. Si cela ne résout pas le problème, faire un appel de service.
- **Les événements sont-ils obstrués?** Enlever tout article placé devant les événements.

Il y a accumulation d'humidité à l'intérieur

REMARQUE : Une certaine accumulation d'humidité est normale.

- **La pièce est-elle humide?** Ceci contribue à l'accumulation de l'humidité.
- **Les portes sont-elles souvent ouvertes ou laissées ouvertes?** Ceci permet à l'air chaud de pénétrer dans le réfrigérateur. Réduire les ouvertures de porte et garder la porte complètement fermée.

Glaçons et eau

La machine à glaçons ne produit pas ou pas suffisamment de glaçons

- **Le réfrigérateur est-il connecté à l'alimentation en eau et le robinet d'arrêt d'eau est-il ouvert?** Brancher le réfrigérateur à l'alimentation en eau et ouvrir le robinet d'arrêt d'eau complètement.
- **La canalisation de la source d'eau du domicile comporte-t-elle une déformation?** Une déformation dans la canalisation peut réduire l'écoulement d'eau. Redresser la canalisation d'eau.
- **La machine à glaçons est-elle allumée?** S'assurer que l'interrupteur est en position ON (MARCHE).
- **S'agit-il d'une nouvelle installation?** Attendre 24 heures après l'installation de la machine à glaçons pour que la production de glaçons commence. Attendre environ 72 heures pour que la production de glaçons soit complète.
- **A-t-on récemment prélevé une grande quantité de glaçons?** Attendre 24 heures pour que la machine à glaçons produise plus de glaçons.
- **Un glaçon est-il coincé dans le bras éjecteur de la machine à glaçons?** Enlever le glaçon du bras éjecteur avec un ustensile en plastique.

- **Un système de filtration de l'eau à osmose inverse est-il connecté à l'alimentation en eau froide?** Ceci peut réduire la pression de l'eau. Voir la section « Spécifications de l'alimentation en eau ».

Les glaçons sont creux ou petits

REMARQUE : Cela indique une faible pression d'eau.

- **Le robinet d'arrêt de la canalisation d'eau est-il complètement ouvert?** Ouvrir le robinet d'arrêt complètement.
- **La canalisation de la source d'eau du domicile comporte-t-elle une déformation?** Une déformation dans la canalisation peut réduire l'écoulement d'eau. Redresser la canalisation d'eau.
- **Un système de filtration de l'eau à osmose inverse est-il connecté à l'alimentation en eau froide?** Ceci peut réduire la pression de l'eau. Voir la section « Spécifications de l'alimentation en eau ».
- **D'autres questions concernant la pression de l'eau?** Appeler un plombier agréé et qualifié.

Les glaçons sont agglomérés dans le bac d'entreposage

- Il est normal que du givre se forme sur le dessus du bac d'entreposage; ceci est dû aux ouvertures et fermetures de la porte du congélateur.
- Il est normal que les glaçons s'agglomèrent lorsqu'ils ne sont pas fréquemment distribués ou utilisés. Il est conseillé de vider et de nettoyer le bac à glaçons aussi souvent que nécessaire. Voir la section « Machine à glaçons et bac d'entreposage ».

Mauvais goût, odeur ou couleur grise des glaçons

- **Les raccords de plomberie sont-ils neufs?** Des raccords de plomberie neufs peuvent entraîner une décoloration ou un mauvais goût des glaçons.
- **Les glaçons ont-ils été gardés trop longtemps?** Jeter les glaçons. Laver le compartiment à glaçons. Attendre 24 heures pour la fabrication de nouveaux glaçons.
- **Y a-t-il un transfert d'odeurs de nourriture?** Utiliser des emballages hermétiques et à l'épreuve de l'humidité pour conserver les aliments.
- **L'eau contient-elle des minéraux (tels que le soufre)?** L'installation d'un filtre à eau peut être requise afin d'enlever les minéraux.
- **Un filtre à eau est-il installé sur le réfrigérateur?** Une décoloration grise ou foncée des glaçons indique que le système de filtration de l'eau nécessite un rinçage supplémentaire.

FICHE DE DONNÉES DE PERFORMANCE

Systeme de filtration de l'eau

Capacité du modèle EDR3RXD1B/P1WB2 de 200 gal. (757 L) avec indicateur PID; 100 gal. (378 L) sans indicateur PID

Filtres de remplacement EDR3RXD1, EDR3RXD1B, WHR3RXD1, KAD3RXD1 et EDR3RXD1R



Systeme testé et homologué par NSF International en vertu des normes NSF/ANSI 42, 53 et 401, ainsi que CSA B483.1 pour la réduction de contaminants spécifiés sur la fiche de données de performance.

Ce système a été testé selon les normes NSF/ANSI 42, 53, 401 et CSA B483.1 pour la réduction des substances énumérées ci-dessous. La concentration des substances indiquées dans l'eau entrant dans le système a été réduite à une concentration inférieure ou égale à la limite permise pour l'eau qui quitte le système, comme spécifié par les normes ANSI/NSF 42, 53 et 401, ainsi que CSA B483.1.

Réduction concentration produits de désinfection	Concentration dans l'eau à traiter	Limite permise de concentration du produit dans l'eau	Réduction de concentration % moy.
Chlore goût/odeur	2,0 mg/L ± 10 %	Réduction de 50 %	97,4 %
Particules (classe I*)	Au moins 10 000 particules/ml	Réduction de 85 %	> 99,9 %
Réduction des contaminants	Concentration dans l'eau à traiter	Limite permise de concentration du produit dans l'eau	Réduction de concentration % moy.
Plomb : à pH 6,5/à pH 8,5	0,150 mg/L ± 10 %	0,005 mg/L	> 99,7 %/> 99,7 %
Mercure : à pH 6,5/à pH 8,5	0,006 mg/L ± 10 %	0,002 mg/L	> 96,6 %/96,7 %
Amiante	10 ⁷ à 10 ⁸ fibres/L ^{††}	99 %	> 99,0 %
Kystes opérationnels [†]	50 000/L min.	99,95 %	> 99,99 %
Turbidité	11 NTU ± 10 %	0,5 NTU	99,1 %
Atrazine	0,009 mg/L ± 10 %	0,003 mg/L	> 94,0 %
Benzène	0,015 mg/L ± 10 %	0,005 mg/L	> 96,9 %
Carbofurane	0,080 mg/L ± 10 %	0,040 mg/L	> 98,7 %
Endrin	0,006 mg/L ± 10 %	0,002 mg/L	> 96,8 %
Éthylbenzène	2,100 mg/L ± 10 %	0,700 mg/L	> 99,9 %
Lindane	0,002 mg/L ± 10 %	0,000 2 mg/L	> 99,1 %
MTBE	0,015 mg/L ± 10 %	0,005 mg/L	93,2 %
O-dichlorobenzène	1,800 mg/L ± 10 %	0,600 mg/L	> 99,9 %
Tétrachloroéthène	0,015 mg/L ± 10 %	0,005 mg/L	> 96,8 %
Toxaphène	0,015 mg/L ± 10 %	0,003 mg/L	> 93,3 %
TTHM	0,045 mg/L ± 10 %	0,080 mg/L	98,6 %
COV	0,300 mg/L ± 10 %	0,015 mg/L	99,7 %
Aténolol	200 ± 20 %	30 ng/L	> 95,1 %
Triméthoprim	140 ng/L ± 20 %	20 ng/L	> 96,6 %
Linuron	140 ng/L ± 20 %	20 ng/L	> 96,7 %
Estrone	140 ng/L ± 20 %	20 ng/L	> 96,1 %
Nonylphénol	1 400 ng/L ± 20 %	200 ng/L	> 95,8 %
Méprobamate	400 ng/L ± 20 %	60 ng/L	> 94,9 %

Réduction des contaminants	Concentration dans l'eau à traiter	Limite permise de concentration du produit dans l'eau	Réduction de concentration % moy.
Carbamazépine	1 400 ng/L ± 20 %	200 ng/L	> 98,6 %
Diéthyltoluamide	1 400 ng/L ± 20 %	200 ng/L	> 98,8 %
Métolachlore	1 400 ng/L ± 20 %	200 ng/L	> 98,7 %
TCEP	5 000 ng/L ± 20 %	700 ng/L	> 98,0 %
TCP	5 000 ng/L ± 20 %	700 ng/L	> 98,0 %
Phénytoïne	200 ng/L ± 20 %	30 ng/L	> 93,8 %
Ibuprofène	400 ng/L ± 20 %	60 ng/L	> 93,9 %
Naproxène	140 ng/L ± 20 %	20 ng/L	> 95,8 %
Bisphénol A	2 000 ng/L ± 20 %	300 ng/L	> 98,9 %

Paramètres de tests : pH = 7,5 ± 0,5 à moins d'indications contraires. Débit = 0,5 gpm (1,89 Lpm). Pression = 60 lb/po² (413,7 kPa). Température = 68 °F à 71,6 °F (20 °C à 22 °C). Capacité de service nominale = 200 gallons (757 litres).

Les composés certifiés en vertu de la norme NSF 401 sont considérés comme appartenant à la catégorie des « composés émergents/contaminants secondaires ». Les composés émergents/contaminants secondaires sont des composés qui ont été détectés à de faibles concentrations dans des sources d'approvisionnement en eau potable. Même s'ils n'apparaissent qu'à de faibles concentrations, ces composés peuvent influencer la perception et le niveau d'acceptation de la qualité de l'eau de consommation par le public.

- Pour obtenir les instructions d'installation, d'utilisation et d'entretien, consulter le manuel d'utilisation.
- Il est important que les critères de fonctionnement, d'entretien et de remplacement du filtre soient respectés pour que le produit donne le rendement annoncé. Des dommages à la propriété peuvent se produire lorsque les instructions ne sont pas toutes respectées.
- La cartouche jetable doit être changée au moins tous les 6 mois.
- Utiliser le filtre de remplacement, numéro de pièce EDR3RXD1/EDR3RXD1B. Prix suggéré au détail en 2025 de 59,99 \$ US/69,99 \$ CAN. Les prix sont indiqués sous réserve de modification.
- Le système de contrôle du filtre mesure la quantité d'eau qui passe par le filtre et indique quand remplacer le filtre. Pour savoir comment vérifier l'état du filtre, consulter les sections « Utiliser les commandes » à la page 26 ou « Système de filtration d'eau » à page 29 des instructions d'utilisation ou du guide d'utilisation.
- Après avoir remplacé le filtre à eau, purger le système d'eau. Voir la section « Préparation du circuit d'eau » à la page 23 du guide d'utilisation.
- Ces contaminants ne sont pas nécessairement présents dans l'approvisionnement d'eau. Même si le test a été effectué dans des conditions de laboratoires standard, le rendement réel peut varier.
- Le produit doit être utilisé pour l'eau froide seulement.
- Le circuit d'eau doit être installé conformément aux lois et règlements locaux et à ceux de la province concernée.
- Ne pas utiliser ce produit pour filtrer une eau microbiologiquement polluée ou de qualité inconnue en l'absence d'un dispositif de désinfection adéquat en amont ou en aval du système. Les systèmes certifiés pour la réduction des kystes peuvent être utilisés pour une eau désinfectée susceptible de contenir des kystes filtrables. Étab. EPA no 082047-TWN-001.
- Consulter la section « Garantie » pour obtenir le nom et le numéro de téléphone du fabricant, ainsi que les renseignements sur la garantie limitée.

Directives d'application/paramètres d'approvisionnement en eau

Source d'eau	Puits ou collectivité
Pression d'eau	30 à 120 lb/po ² (207 à 827 kPa)
Température de l'eau	33 °F à 100 °F (0,6 °C à 37,8 °C)
Débit nominal	0,5 gal/m (1,89 L/m) à 60 lb/po ² (413,7 kPa)

- Le système de filtration d'eau peut prendre en charge une pression d'eau pouvant atteindre 120 livres par pouce carré (lb/po²). Si l'alimentation en eau est supérieure à 80 lb/po², installer un détendeur avant d'installer le système de filtration d'eau.

Assistance client **1 800 442-9991**

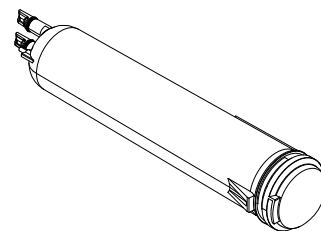
par Whirlpool Corporation
2000 North M63
Benton Harbor, MI 49022
Fabriqué à Taiwan.

*Classe I – taille des particules : > 0,5 um à 1 um

†Sur la base de la filtration de kystes de *Cryptosporidium parvum*

‡Filtres de longueur supérieure à 10 um

©NSF est une marque déposée de NSF International.



NOTES

